

Heavy Duty Brakes

SUPERSTOP



FGI
FORT GARRY INDUSTRIES

AIR DISC BRAKE CATALOGUE

SECTION B - DISC BRAKES & ROTORS

SUPER STOP DISC BRAKE..... 27
DISC BRAKE DIAGRAMS28
SUPER STOP ROTOR39
ROTORS DIAGRAMS.....40
DISC BRAKES LISTING & CROSS REFERENCE 53
ROTORS LISTING & CROSS REFERENCE..... 55

SUPERSTOP

AIR DISC BRAKE PADS

SUPER STOP AIR DISC BRAKE PADS ARE DESIGNED TO PROVIDE TRUCKS AND TRAILERS WITH THE SAME PERFORMANCE THAT CAME FROM THE FACTORY.



- All ADB pads are ECE R-90 approved to insure performance characteristics to the OEM level.
- All ADB pads use an integrated mechanical retention system to insure pads resist shearing during heavy brake and load applications.
- All ADB pads use a thicker OEM level backing plate to insure strength within brake assembly.
- All ADB pads come with a bedding layer to insure pad to rotor compatibility

SUPER STOP PRODUCTS KEEP TRUCKS ON THE ROAD FOR THE LONG HAUL.

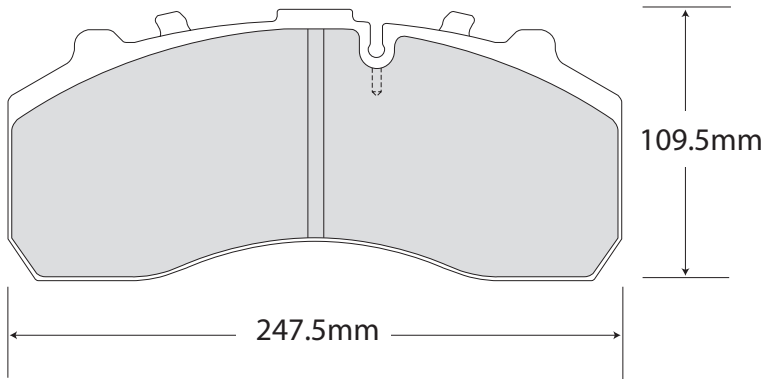


STATE OF THE ART MANUFACTURING MAKES SUPER STOP A TRUSTED BRAND YOU CAN DEPEND ON ACROSS THE WIDE VARIETY OF APPLICATIONS

B

SSP1203HD

KNORR - BENDIX

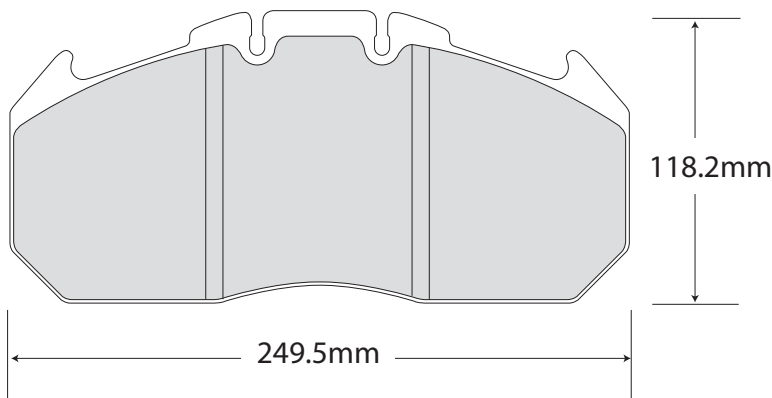


CALIPER MODELS	Knorr - Bendix SB/SN7
FMSI	1203
MATERIAL	621
WIDTH	247.50mm
HEIGHT	109.50mm
THICKNESS	29.80mm
CONTAINS 4 PADS & HARDWARE	

CROSS REFERENCES Bendix 5013257, K109249, K006060, K109318 / Textar 2927801, 2908711 / Frasle ESD1203 / Abex ADB1203AFE, TRP AD1203HW / Meritor MMD1203AF / Ride Air RADV1203

SSP1310HD

MERITOR

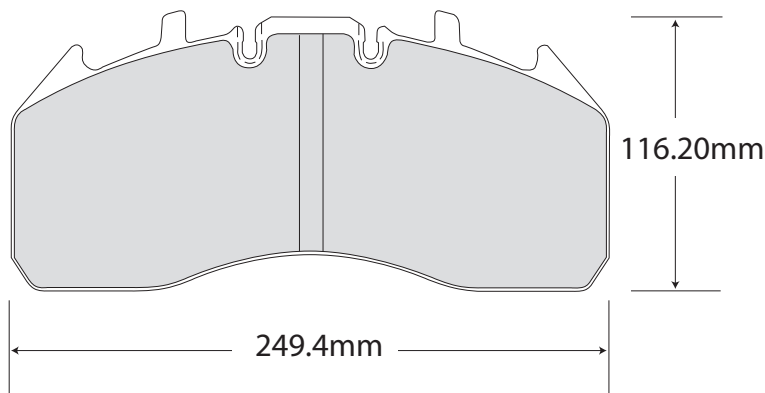


CALIPER MODELS	Meritor D-Elsa 2
FMSI	1310
MATERIAL	621
WIDTH	249.50mm
HEIGHT	118.20mm
THICKNESS	29.80mm
CONTAINS 4 PADS & HARDWARE	

CROSS REFERENCES Meritor 68324558, 68324957, 68325344, 68325346, 68325901, 68326015, MDP5060, MDP5097 / Textar 2913103, 2913111 / Abex ADB1310AFE, ADB1310FE / Marathon CBP-HDX01 / Frasle ESD1310 / Volvo 20976509

SSP1311HD

MERITOR



CALIPER MODELS Meritor EX 225H2

FMSI 1311

MATERIAL 621

WIDTH 249.40mm

HEIGHT 116.20mm

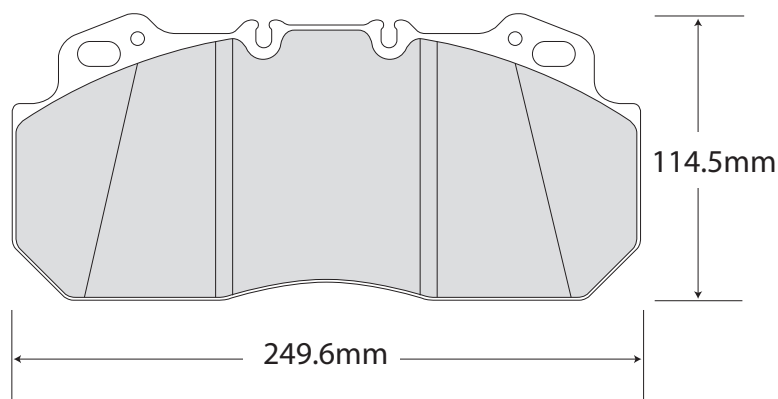
THICKNESS 28.80mm

CONTAINS 4 PADS & HARDWARE

CROSS REFERENCES Meritor ED225SHD, KIT2252H2CD, KIT2252H2BE, KIT2252H2DA, KIT2252H2BA, MMD1311AF / Textar 2918701 / Frasle ESD1311 / Abex ADB1311 / Marathon LBP-MTR225 / MCI 04-01-1113 / Ride-Air RADV1311

SSP1312

MERITOR



CALIPER MODELS Meritor D - LISA

FMSI 1312

MATERIAL 615

WIDTH 249.60mm

HEIGHT 114.50mm

THICKNESS 28.20mm

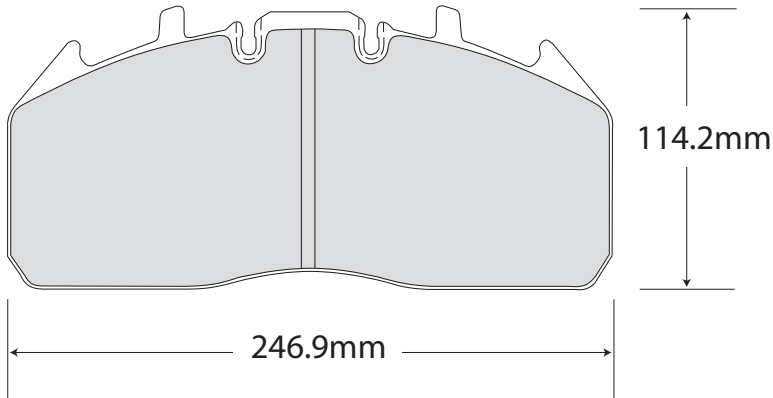
CONTAINS 4 PADS & HARDWARE

CROSS REFERENCES Meritor 68932068NZP, MDP5019, MDP5025, MDP5042, MDP5061 / Textar 2909006 / Abex ADB1312 / Marathon CBP-RN01 / OEM MCI 04-01-1007, 04-01-1019 / Ride Air RADV1312 / Frasle ESD1312

B

SSP1323HD

MERITOR



CALIPER MODELS Meritor EX 225H3

FMSI 1323

MATERIAL 621

WIDTH 246.90mm

HEIGHT 114.20mm

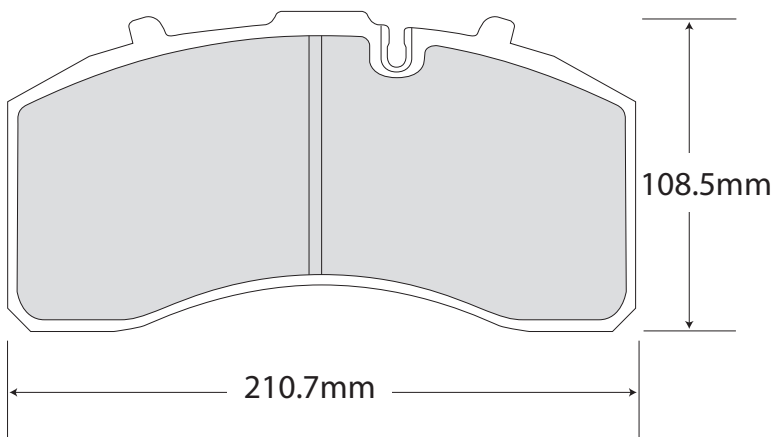
THICKNESS 19.40mm

CONTAINS 4 PADS & HARDWARE

CROSS REFERENCES Meritor KIT2252H3BE, KIT2252H3CE, MMD1323AF / OEM New Flyer 6317845 / Frasle ESD1323

SSP1369

KNORR - BENDIX



CALIPER MODELS Knorr SK7, ADB22X

FMSI 1369

MATERIAL 615

WIDTH 210.70mm

HEIGHT 108.50mm

THICKNESS 30.00mm

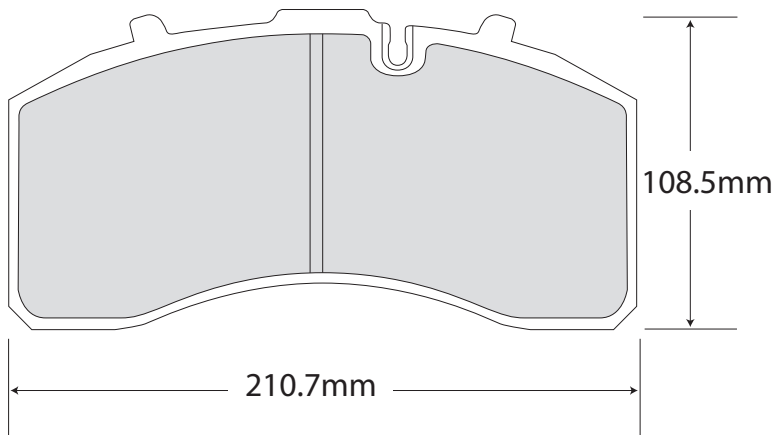
CONTAINS 4 PADS & HARDWARE

CROSS REFERENCES Bendix K070796, 802078 / Textar 2626902 / Hendrickson S-29152 / Holland 03057008500Z / Abex ADB1369 / Frasle ESD1369 / Marathon CBP-KBK7 / Meritor MMD1369AF / TRP AD1369HW / OEM Volvo 8550611-1 / Ride Air RADV1369

B

SSP1369HD

KNORR - BENDIX



CALIPER MODELS Knorr SK7, ADB22X

FMSI 1369

MATERIAL 621

WIDTH 210.70mm

HEIGHT 108.50mm

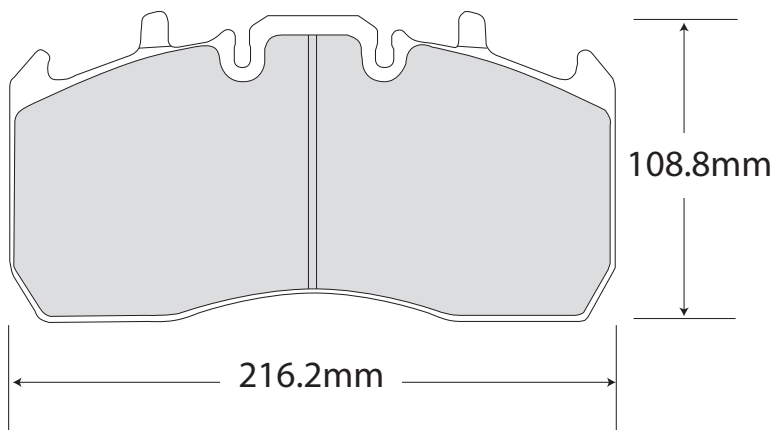
THICKNESS 30.00mm

CONTAINS 4 PADS & HARDWARE

CROSS REFERENCES Bendix K070796, 802078, K109113 / Textar 2926903, 2926904 / Hendrickson S-291522 / Holland 03057008500Z

SSP1370

MERITOR



CALIPER MODELS Meritor EX 225L2

FMSI 1370

MATERIAL 615

WIDTH 216.10mm

HEIGHT 108.80mm

THICKNESS 29.00mm

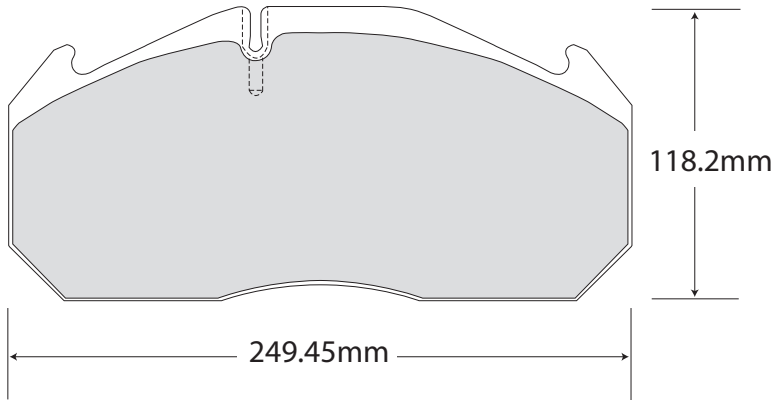
CONTAINS 4 PADS & HARDWARE

CROSS REFERENCES Meritor KIT2252L2LD, MMD1370AF / Frasle ESD1370

B

SSP1407

MERITOR



CALIPER MODELS Meritor D-Elsa 1

FMSI 1407

MATERIAL 615

WIDTH 249.45mm

HEIGHT 118.20mm

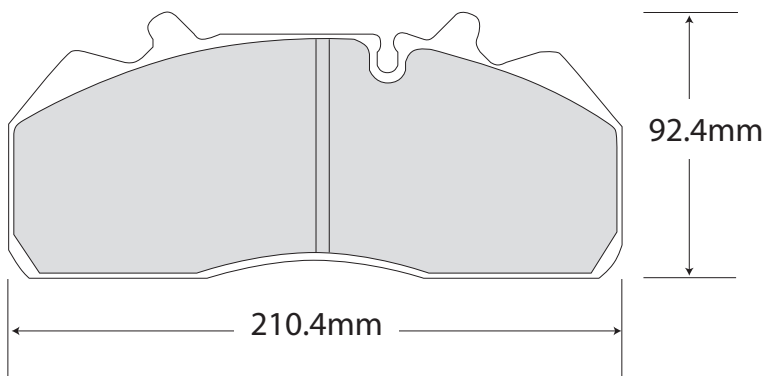
THICKNESS 30.00mm

CONTAINS 4 PADS & HARDWARE

CROSS REFERENCES Meritor 68325023, 68325166, MDP5110, MMD1407AF / Textar 2911303, 2911307, 2903009 / Frasle ESD1407 / Abex ADB1407FE, ADB1407AFE

SSP1438F

WABCO



CALIPER MODELS Wabco Pan 19

FMSI 1438

MATERIAL 615

WIDTH 210.40mm

HEIGHT 92.40mm

THICKNESS 29.70mm

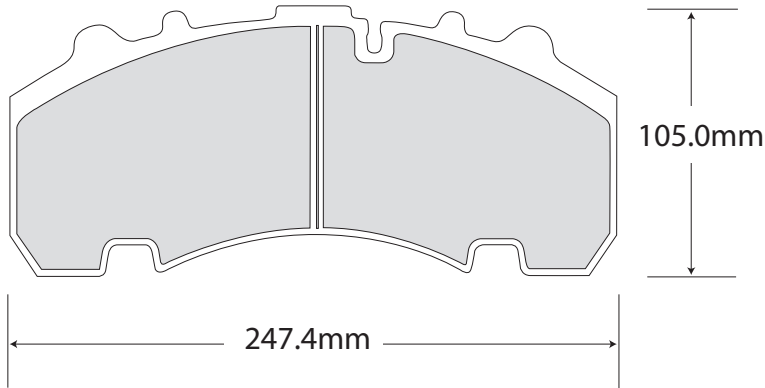
CONTAINS 4 PADS & HARDWARE

CROSS REFERENCES MeritorMMD1438AF / Wabco 12999737VT / Abex ADB1438 / Ride Air RADV1438

B

SSP1441

KNORR - BENDIX

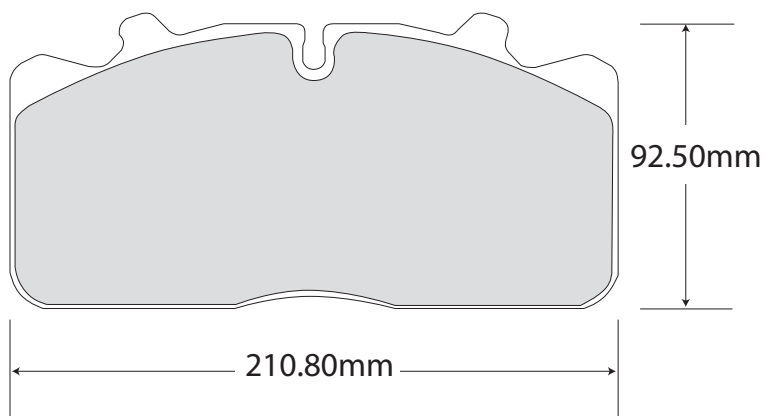


CALIPER MODELS	Bendix ESD-225
FMSI	1441
MATERIAL	615
WIDTH	247.40mm
HEIGHT	105.00mm
THICKNESS	30.00mm
CONTAINS 4 PADS & HARDWARE	

CROSS REFERENCES PACCAR / Bendix 9766003N / Abex ADB1441 / Meritor MMD1441AF / Haldex 790-22012

SSP1518

WABCO



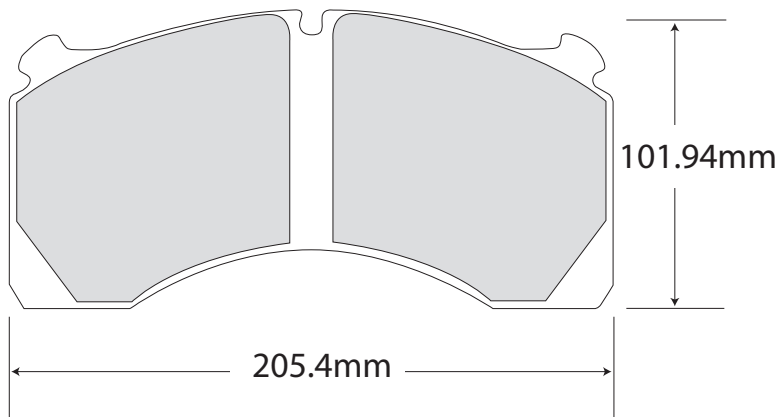
CALIPER MODELS	Wabco Pan 17
FMSI	1518
MATERIAL	615
WIDTH	210.80mm
HEIGHT	92.50mm
THICKNESS	30.00mm
CONTAINS 4 PADS & HARDWARE	

CROSS REFERENCES Frasle ESD1518 / Wabco 12999703VT / Meritor MMD1518AF / Ride Air RADV1518 / Wabco 12999806

B

SSP1525

MERITOR



CALIPER MODELS Meritor DX 195

FMSI 1525

MATERIAL 615

WIDTH 205.40mm

HEIGHT 101.94mm

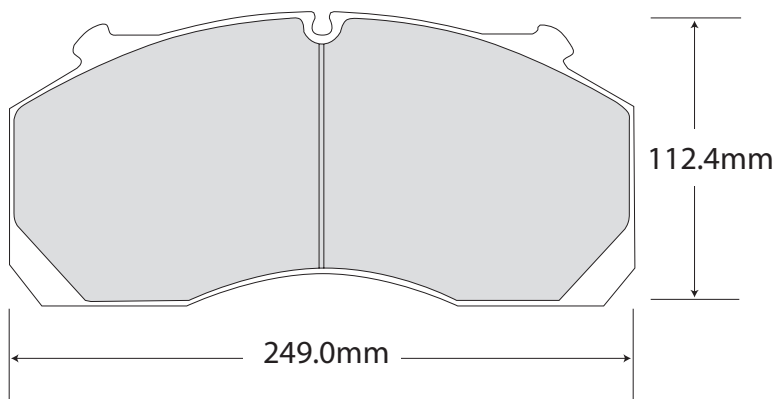
THICKNESS 27.00mm

CONTAINS 4 PADS & HARDWARE

CROSS REFERENCES Meritor MDP1314, MDP5079, MMD1525AF, KIT195020, KIT195021 / Abex ADB1525FE / Frasle ESD1525

SSP1526

MERITOR



CALIPER MODELS Meritor DX 225

FMSI 1526

MATERIAL 615

WIDTH 249.00mm

HEIGHT 112.40mm

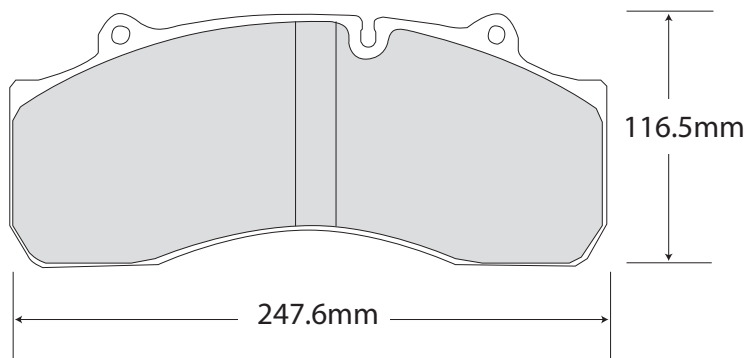
THICKNESS 30.00mm

CONTAINS 4 PADS & HARDWARE

CROSS REFERENCES Meritor KIT225020, KIT225021, MMD1526AF / Abex ADB1526

SSP1527

HALDEX



CALIPER MODELS Haldex DB22LD

FMSI 1527

MATERIAL 615

WIDTH 247.60mm

HEIGHT 116.50mm

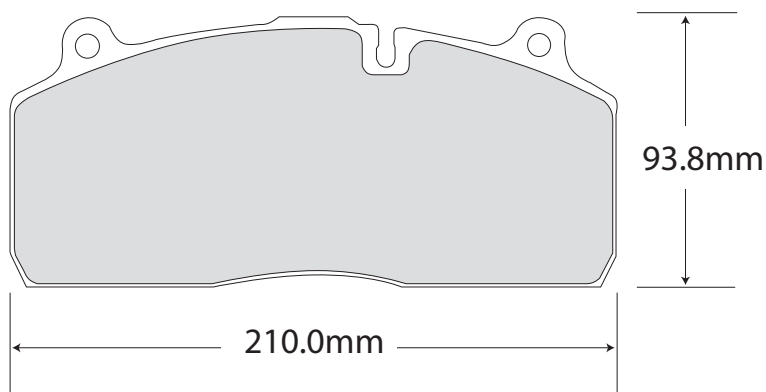
THICKNESS 20.00mm

CONTAINS 4 PADS & HARDWARE

CROSS REFERENCES Haldex 79022008, 79022031 / Hendrickson S-30674 / Abex ADB1527 / Meritor MMD1527AF / Ride Air RADV1527

SSP1583

HALDEX



CALIPER MODELS Haldex DB22LT

FMSI 1528

MATERIAL 615

WIDTH 210.00mm

HEIGHT 93.80mm

THICKNESS 29.50mm

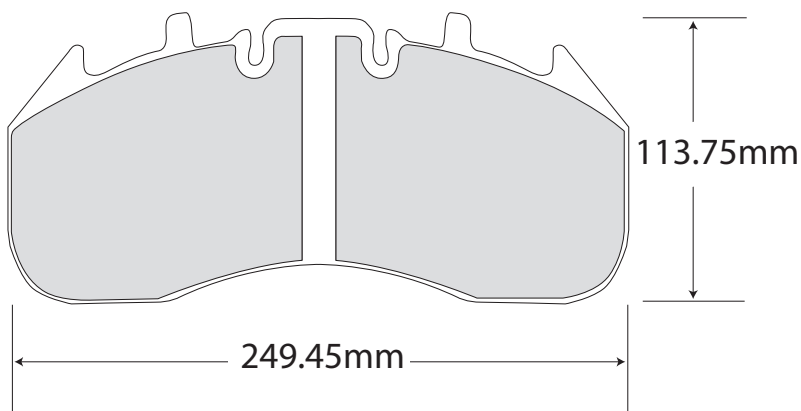
CONTAINS 4 PADS & HARDWARE

CROSS REFERENCES Haldex 79022040 / Hendrickson S-305608 / Frasle ESD1583 / Meritor MMD1583AF / Ride Air RADV1583 / Abex ADB1583

B

SSP1690

MERITOR



CALIPER MODELS Meritor EX22H2

FMSI 1690

MATERIAL 615

WIDTH 249.45mm

HEIGHT 113.75mm

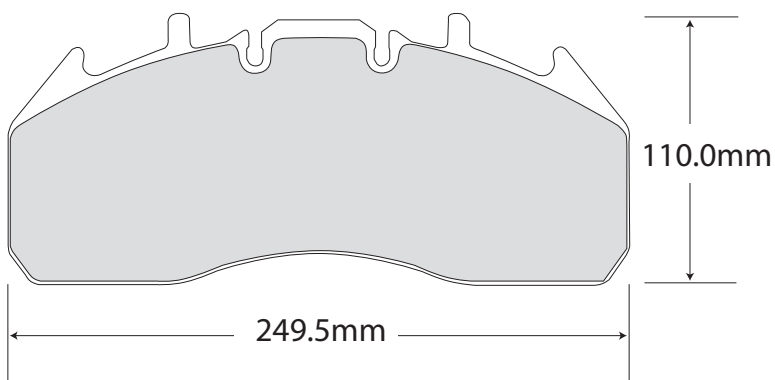
THICKNESS 29.40mm

CONTAINS 4 PADS & HARDWARE

CROSS REFERENCES Meritor KIT2252H2BA / Textar 2918901

SSP1708

MERITOR



CALIPER MODELS Meritor ELSA 225-3

FMSI 1708

MATERIAL 615

WIDTH 249.50mm

HEIGHT 110.00mm

THICKNESS 29.20mm

CONTAINS 4 PADS & HARDWARE

CROSS REFERENCES Meritor MDP3174K, MDP5140 / Frasle ESD1708

B

SSP1777

WABCO



CALIPER MODELS	Pan 22
FMSI	1777
MATERIAL	615
WIDTH	210.20mm
HEIGHT	109.30mm
THICKNESS	31.00mm
CONTAINS 4 PADS & HARDWARE	

CROSS REFERENCES Hendrickson S-32676-1 / Wabco 12999796, 1999699VT / Ride Air RADV1777

SSP1777H

HENDRICKSON



CALIPER MODELS	MAXX22T
FMSI	1777
MATERIAL	615
WIDTH	210.20mm
HEIGHT	109.30mm
THICKNESS	31.0mm
CONTAINS 4 PADS & HARDWARE	

CROSS REFERENCES Hendrickson S-353031

SSP2061

WABCO

B



CALIPER MODELS MAXXUS, MAXX22

FMSI 2061

MATERIAL 615

WIDTH 217.50mm

HEIGHT 107.60mm

THICKNESS 30.50mm

CONTAINS 4 PADS & HARDWARE

CROSS REFERENCES Textar 2927901

SUPER STOP

AIR DISC BRAKE ROTORS

SUPER STOP air disc brake rotors are designed to provide a superior braking surface to maximize maintenance intervals. Rotors are individually wrapped and ABS rings include our patented "E-Coating" anti-corrosion compound to insure problem free installation.

All **SUPER STOP** rotors incorporate OEM level thickness and steel integrity to resist high temperature cycles, warping and cracking.



ALL ABS RINGS ARE E-COATED

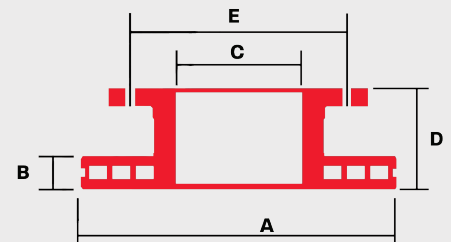
- IMPROVED CORROSION RESISTANCE
- ABS RING CAN BE REPLACED
- REDUCES DOWNTIME
- SAVES TIME AND MONEY

ABS RING



**R90
APPROVAL**

UNDERSTANDING ROTOR DIMENSION

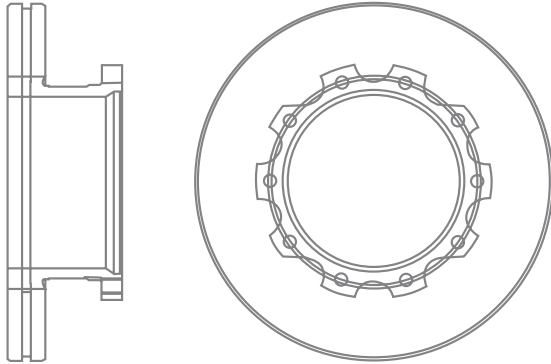


- A** - DIAMETER
- B** - THICKNESS
- C** - REGISTER
- D** - HEIGHT
- E** - PCD (PCD - Pitch Center Diameter)

B

SSR901

KNORR - BENDIX

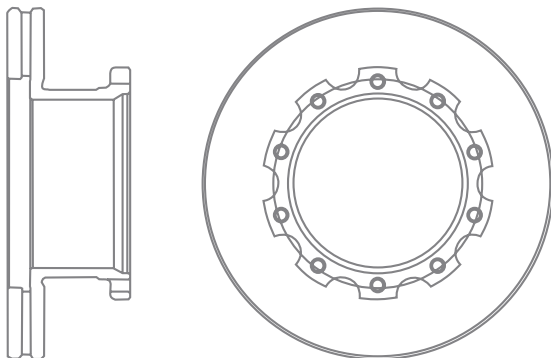


CALIPER	SK7
APPLICATIONS	Front-FL Century & Columbia 2010 to present
DIAMETER	430mm
THICKNESS	45mm
MIN THICKNESS	37mm
REGISTER	220mm
HEIGHT	138.2mm
PCD*	249.5mm
STUD HOLES	10 x 5/8
WEIGHT	33.6kg

CROSS REFERENCES Meritor M44D76618 / Bendix 802081, K038573 / Durabrake 76618

SSR920

KNORR - BENDIX



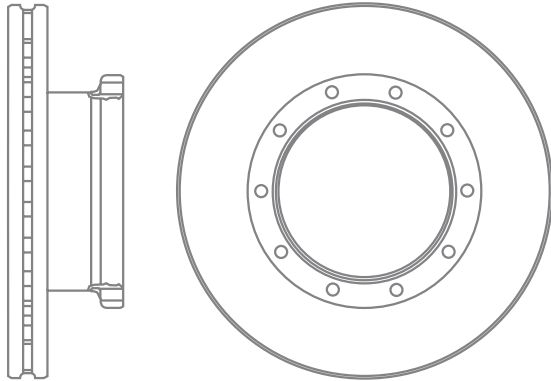
CALIPER	SK7, ADB22X
APPLICATIONS	FL, Mack, Volvo Front
DIAMETER	430mm
THICKNESS	45mm
MIN THICKNESS	37mm
REGISTER	220mm
HEIGHT	150mm
PCD*	249.5mm
STUD HOLES	10 x 5/8
WEIGHT	34.3kg

CROSS REFERENCES Meritor 44D76617 / Bendix 802082, K038574 / Durabrake 76617 / Hendrickson S-32193

B

SSR921

KNORR - BENDIX

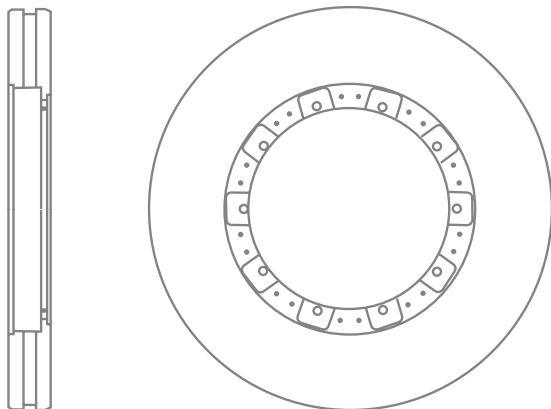


CALIPER	SB7
APPLICATIONS	Nova Bus
DIAMETER	430mm
THICKNESS	45mm
MIN THICKNESS	37mm
REGISTER	203mm
HEIGHT	131mm
PCD*	235mm
STUD HOLES	10 x M16
WEIGHT	34kg

CROSS REFERENCES Meritor M44D76612 / Bendix K021958, I137191 / WEBB 55024P / Durabrake 76612

SSR922

KNORR - BENDIX



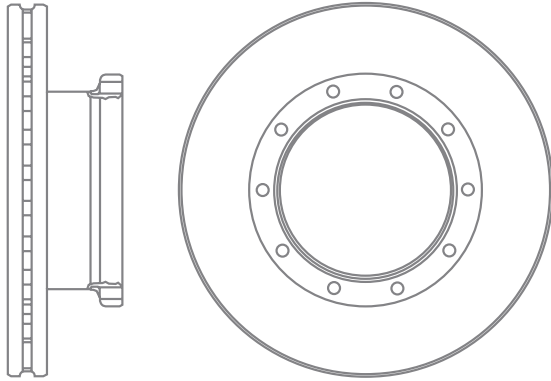
CALIPER	SK7
APPLICATIONS	PACCAR Front
DIAMETER	430mm
THICKNESS	45mm
MIN THICKNESS	37mm
REGISTER	217mm
HEIGHT	45mm
PCD*	230mm
STUD HOLES	10 x 8.5
WEIGHT	27kg

CROSS REFERENCES Meritor M44D76692 / Bendix 802569 / Conmet 10025445 / Durabrake 76692 / Hendrickson S-29152

B

SSR923

KNORR - BENDIX

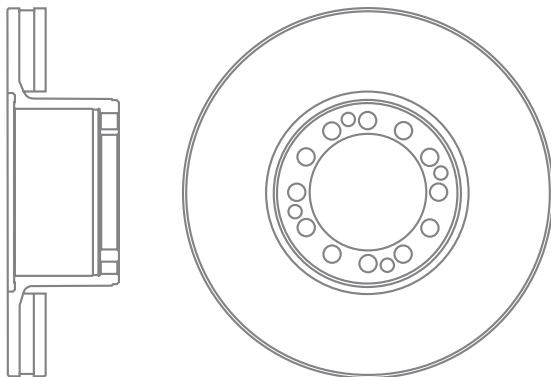


CALIPER	SB7
APPLICATIONS	Bendix, Prevost Front & Tag
DIAMETER	430mm
THICKNESS	45mm
MIN THICKNESS	37mm
REGISTER	194mm
HEIGHT	136mm
PCD*	220mm
STUD HOLES	10 x M16
WEIGHT	37kg

CROSS REFERENCES Meritor M44D76603 / OEM Prevost 611188, 611456 / Bendix II37415 / Durabrake 76603 / Webb 56022P

SSR925

MERITOR

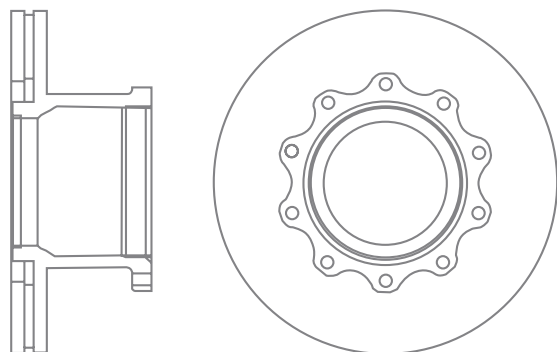


CALIPER	EX225
APPLICATIONS	MCI Front & Tag
DIAMETER	434mm
THICKNESS	44.9mm
MIN THICKNESS	41.5mm
REGISTER	135mm
HEIGHT	131.7mm
PCD*	167.9mm
STUD HOLES	12 x 19
WEIGHT	35.3kg

CROSS REFERENCES Meritor 68326014 / WEBB 54220P, 54220F / OEM MCI 15-02-1067, 15-02-1043

SSR926

KNORR - BENDIX

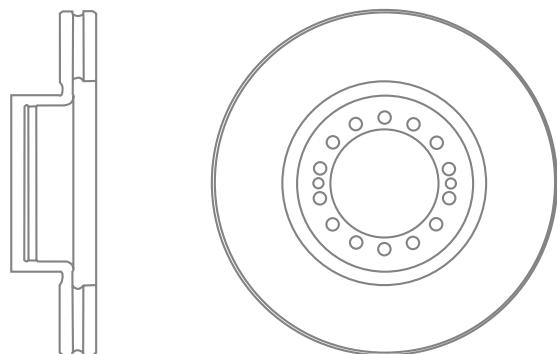


CALIPER	SB7
APPLICATIONS	Bendix, Prevost Drive Axle
DIAMETER	430mm
THICKNESS	45mm
MIN THICKNESS	41mm
REGISTER	194mm
HEIGHT	179.7mm
PCD*	250mm
STUD HOLES	10 x 5/8
WEIGHT	45kg

CROSS REFERENCES Meritor M44D76604 / Bendix K021959, I137986 / OEM Prevost 611457, 621672 / Durabrake 76604 / Webb 56050

SSR927

KNORR - BENDIX



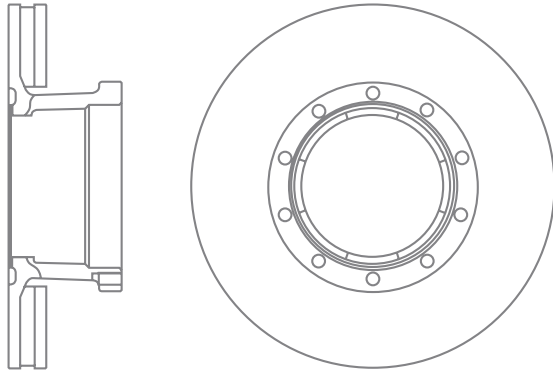
CALIPER	SK7
APPLICATIONS	AD Bus
DIAMETER	430mm
THICKNESS	45mm
MIN THICKNESS	37mm
REGISTER	135mm
HEIGHT	105mm
PCD*	165mm
STUD HOLES	14 x 15
WEIGHT	30.5kg

CROSS REFERENCES Meritor M44D76642 / OEM AD Bus 658470/39 / Bendix K034497

B

SSR928

KNORR - BENDIX

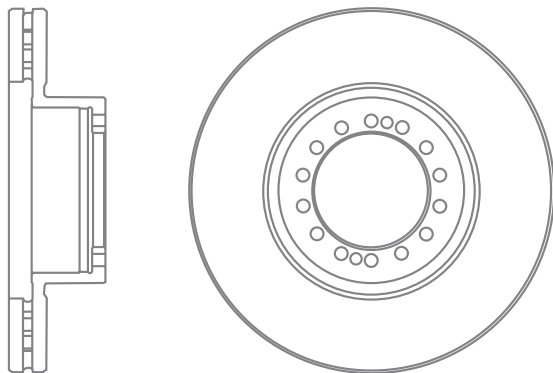


CALIPER	SB7
APPLICATIONS	Van Hool Drive Axles
DIAMETER	434mm
THICKNESS	45mm
MIN THICKNESS	37mm
REGISTER	194mm
HEIGHT	135mm
PCD*	220mm
STUD HOLES	10 x M16
WEIGHT	39kg

CROSS REFERENCES OEM Van Hool 10721062, 10977055 / Meritor 68323736 / Durabrake 76602A

SSR929

KNORR - BENDIX



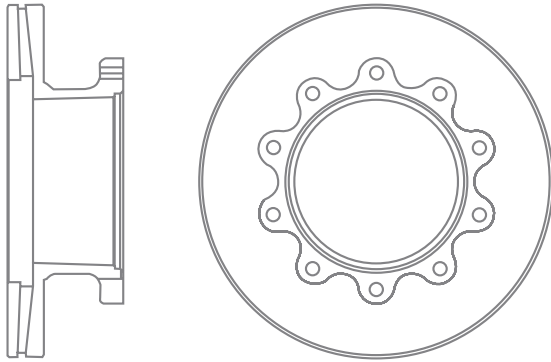
CALIPER	SB7
APPLICATIONS	Prevost Front & Tag
DIAMETER	430mm
THICKNESS	45mm
MIN THICKNESS	37mm
REGISTER	135mm
HEIGHT	114.7mm
PCD*	165mm
STUD HOLES	14 x 15
WEIGHT	35.5kg

CROSS REFERENCES Meritor M44D76641 / Bendix 802669 / WEBB 55080P / OEM Prevost 611300 / Durabrake 76641

B

SSR930

MERITOR

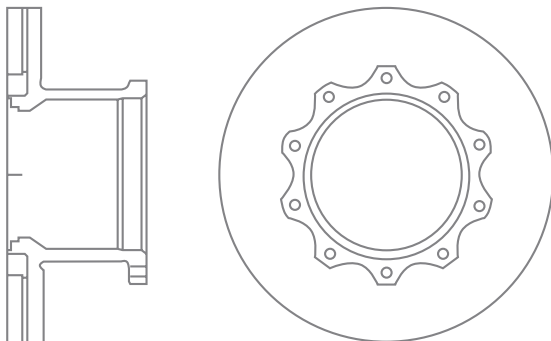


CALIPER	EX225
APPLICATIONS	AD BUS
DIAMETER	434mm
THICKNESS	45mm
MIN THICKNESS	37mm
REGISTER	215.9mm
HEIGHT	143.3mm
PCD*	266.7mm
STUD HOLES	10 x 5/8
WEIGHT	37.1kg

CROSS REFERENCES Meritor 23-123642-002 / WEBB 55060 / OEM MCI 15-03-1012 / Durabrake 56642

SSR931

WABCO



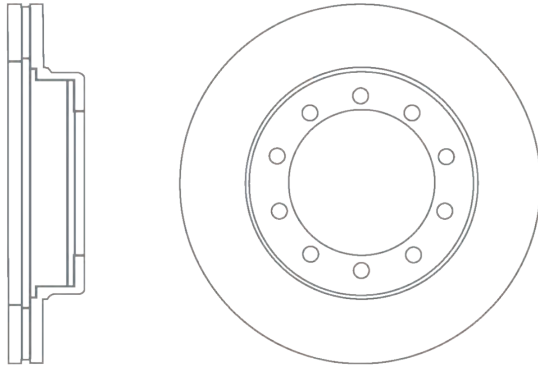
CALIPER	PAN 19
APPLICATIONS	Pan 19 (Wabco PN CT832)
DIAMETER	377.5mm
THICKNESS	45mm
MIN THICKNESS	37mm
REGISTER	220mm
HEIGHT	150mm
PCD*	249.54mm
STUD HOLES	10 x M16
WEIGHT	26.8kg

CROSS REFERENCES Meritor M44D71601 / Wabco CT832 / IMT 70006IMT

B

SSR932

MERITOR

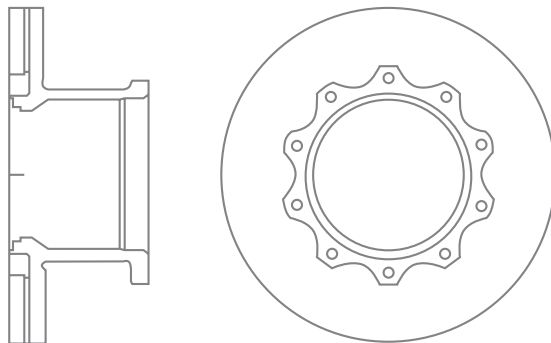


CALIPER	EX+L
APPLICATIONS	Meritor, Navistar
DIAMETER	381mm
THICKNESS	36.8mm
MIN THICKNESS	NA
REGISTER	152mm
HEIGHT	81.7mm
PCD*	184.15mm
STUD HOLES	10 x 14 1/2
WEIGHT	17.4kg

CROSS REFERENCES Meritor 23-123550-009 / WEBB 54773P-65 / Gunite D6176M, 123550 Dayton / Bendix 145086, 145348

SSR933

WABCO



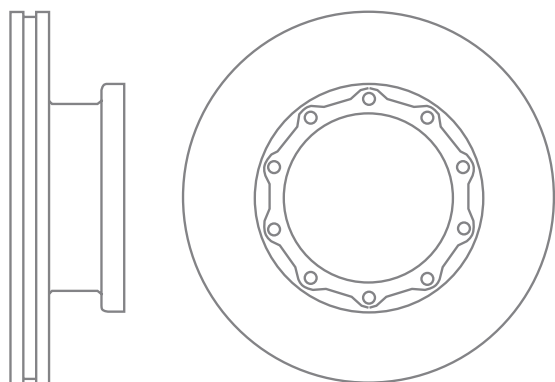
CALIPER	PAN 17
APPLICATIONS	Trailer
DIAMETER	325.0mm
THICKNESS	34mm
MIN THICKNESS	28mm
REGISTER	173mm
HEIGHT	148.5mm
PCD*	196mm
STUD HOLES	8 x M14
WEIGHT	18.2kg

CROSS REFERENCES Meritor M44D75180 / Wabco CT826 / Durabrake 75180 / IMT 70005IMT

B

SSR934

KNORR - BENDIX

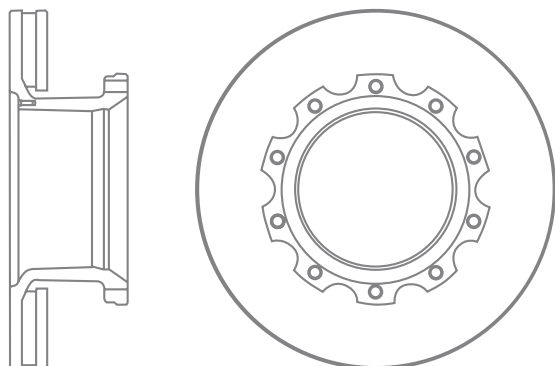


CALIPER	SB7
APPLICATIONS	Van Hool Front & Tag Axles
DIAMETER	438mm
THICKNESS	45mm
MIN THICKNESS	37mm
REGISTER	200mm
HEIGHT	135mm
PCD*	235mm
STUD HOLES	10 x M16
WEIGHT	36kg

CROSS REFERENCES OEM Van Hool N508030009 / Durabrake 76605

SSR935

MERITOR



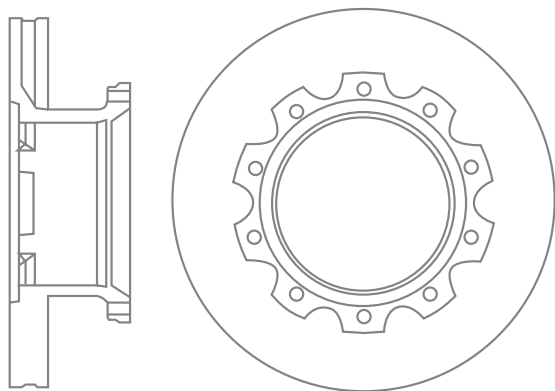
CALIPER	EX225
APPLICATIONS	Meritor & NABI/Gillig Bus
DIAMETER	433.5mm
THICKNESS	45mm
MIN THICKNESS	37mm
REGISTER	194mm
HEIGHT	143.35mm
PCD*	249.2mm
STUD HOLES	10 x M16
WEIGHT	35.2kg

CROSS REFERENCES Meritor 23-123647-002 / WEBB 55070 / Durabrake 76606 / OEM New Flyer 6316229

B

SSR941

WABCO



CALIPER PAN 22

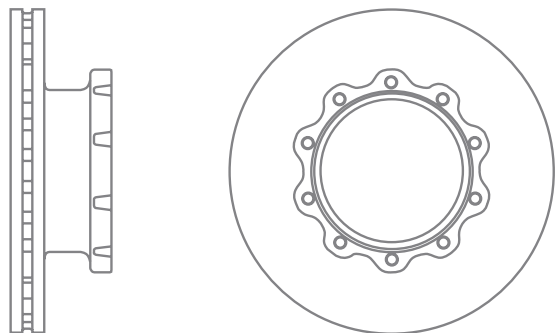
APPLICATIONS Trailer

DIAMETER 430mm
THICKNESS 45mm
MIN THICKNESS 37mm
REGISTER 219.8mm
HEIGHT 150.1mm
PCD* 249.5mm
STUD HOLES 10 x M16
WEIGHT 34.8kg

CROSS REFERENCES Meritor M44D76613 / Durabrake 76613 / Wabco CT807 / IMT 70007IMT / Hendrickson S-34172

SSR943

MERITOR



CALIPER D Elsa / D Elsa 2

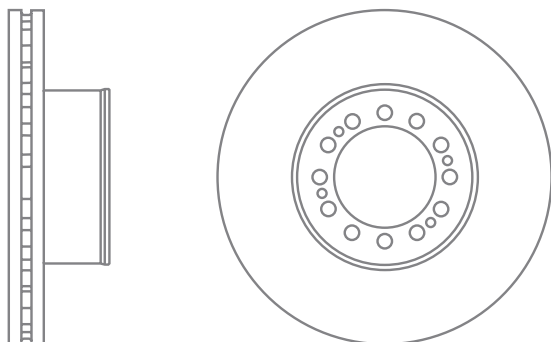
APPLICATIONS New Flyer

DIAMETER 432mm
THICKNESS 45mm
MIN THICKNESS 37mm
REGISTER 208mm
HEIGHT 135mm
PCD* 235mm
STUD HOLES 10 x M16
WEIGHT 37kg

CROSS REFERENCES OEM New Flyer 6359347 / Webb 56020P / Durabrake 76616

SSR944

KNORR - BENDIX

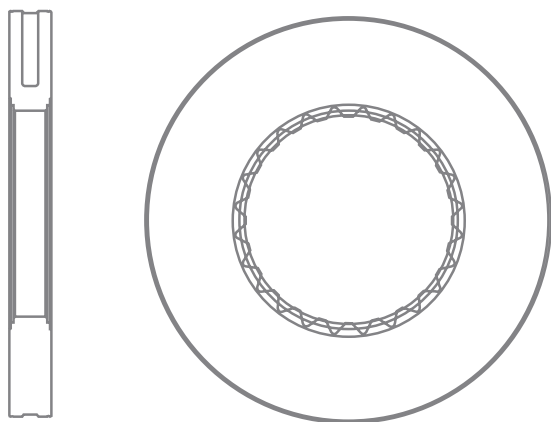


CALIPER	SB7
APPLICATIONS	Van Hool, New Flyer
DIAMETER	432mm
THICKNESS	45mm
MIN THICKNESS	37mm
REGISTER	131mm
HEIGHT	130mm
PCD*	168mm
STUD HOLES	12 x 19
WEIGHT	36kg

CROSS REFERENCES Meritor M44D76621 / OEM Van Hool N508030038, N508030040 / OEM New Flyer 6347297 / Webb 55040P / Durabrake 76621

SSR945

MERITOR



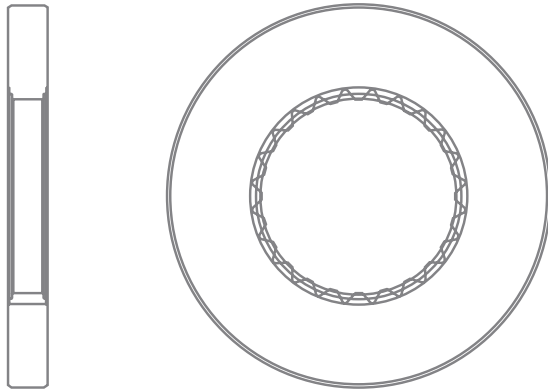
CALIPER	EX225
APPLICATIONS	Volvo, Vented
DIAMETER	434mm
THICKNESS	45mm
MIN THICKNESS	41mm
REGISTER	NA
HEIGHT	45mm
PCD*	NA
STUD HOLES	NA
WEIGHT	26kg

CROSS REFERENCES Meritor M44D76690 / Durabrake 76690 / OEM Volvo 20428193, 85103803, 85110496

B

SSR946

MERITOR

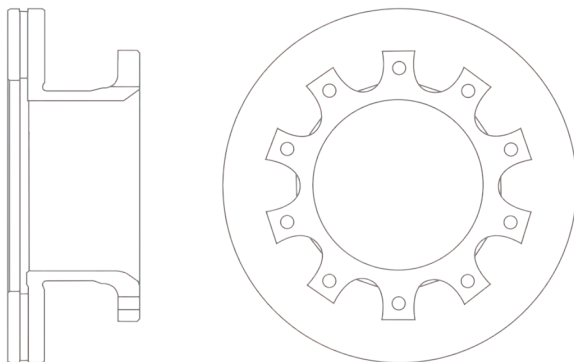


CALIPER	EX225
APPLICATIONS	Volvo, Solid
DIAMETER	434mm
THICKNESS	45mm
MIN THICKNESS	41mm
REGISTER	NA
HEIGHT	45mm
PCD*	NA
STUD HOLES	NA
WEIGHT	34.6kg

CROSS REFERENCES MeritorM44D76691 / Durabrake 76691 / OEM Volvo 3988838, 3092710, 8221042

SSR947

WABCO



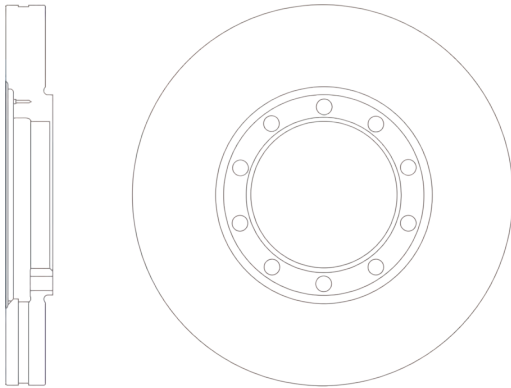
CALIPER	MAXXUS
APPLICATIONS	
DIAMETER	430mm
THICKNESS	45mm
MIN THICKNESS	37mm
REGISTER	207mm
HEIGHT	106mm
PCD*	205.75mm
STUD HOLES	10xM16
WEIGHT	37kg

CROSS REFERENCES Conmet 10020682

B

SSR948

WABCO



CALIPER PAN 22

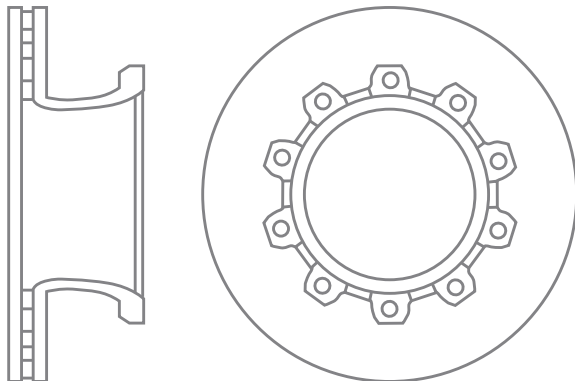
APPLICATIONS

DIAMETER 430mm
THICKNESS 45mm
MIN THICKNESS N/A
REGISTER 166.5mm
HEIGHT 53mm
PCD* N/A
STUD HOLES N/A
WEIGHT N/A

CROSS REFERENCES Conmet 10016195, 10018609

SSR949

HENDRICKSON



CALIPER MAXX22T

APPLICATIONS

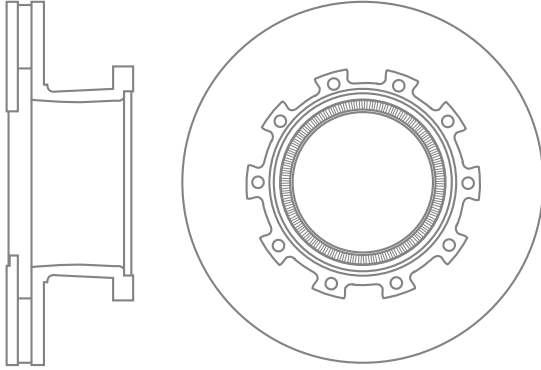
DIAMETER 415mm
THICKNESS 43mm
MIN THICKNESS 37mm
REGISTER 219.8mm
HEIGHT 150mm
PCD* 250mm
STUD HOLES 10xM16
WEIGHT 32.00kg

CROSS REFERENCES Hendrickson S-34471

SSR950

HALDEX

B



CALIPER DB22 / DB22LT

APPLICATIONS Hendrickson

DIAMETER 430mm

THICKNESS 45mm

MIN THICKNESS 41.4mm

REGISTER 220mm

HEIGHT 150mm

PCD* 249.5mm

STUD HOLES 10x5/8"

WEIGHT 34.46kg

CROSS REFERENCES Gunitite R6206M, R6225M / Hendrickson S-28595



Part Number	Page
SSP1203HD.....	28
SSP1310HD.....	28
SSP1311HD.....	29
SSP1312.....	29
SSP1312HD.....	30
SSP1369.....	30
SSP1369HD.....	31
SSP1370.....	31
SSP1407.....	32
SSP1438F.....	32
SSP1441.....	33
SSP1518.....	33
SSP1525.....	34
SSP1526.....	34
SSP1527.....	35
SSP1583.....	35
SSP1690.....	36
SSP1708.....	36
SSP1777.....	37
SSP1777B.....	37
SSP2061.....	38

CROSS REFERENCE

ABEX#	SSTOP#	Page
ADB1203AFE.....	SSP1203HD.....	28
ADB1310AFE.....	SSP1310HD.....	28
ADB1310FE.....	SSP1310HD.....	28
ADB1311.....	SSP1311HD.....	29
ADB1312.....	SSP1312.....	29
ADB1369.....	SSP1369.....	30
ADB1407AFE.....	SSP1407.....	32
ADB1407FE.....	SSP1407.....	32
ADB1438.....	SSP1438.....	32
ADB1441.....	SSP1441.....	33
ADB1525FE.....	SSP1525.....	34
ADB1526.....	SSP1526.....	34
ADB1527.....	SSP1527.....	35
ADB1583.....	SSP1583.....	35

BENDIX#	SSTOP#	Page
802078.....	SSP1369.....	30
802078.....	SSP1369HD.....	31
5013257.....	SSP1203HD.....	28
97600311.....	SSP1441.....	33
K006060.....	SSP1203HD.....	28
K070796.....	SSP1369.....	30
K070796.....	SSP1369HD.....	31
K109249.....	SSP1203HD.....	28
K109318.....	SSP1203HD.....	28
K109913.....	SSP1369HD.....	31

FRASLE#	SSTOP#	Page
ESD1203.....	SSP1203HD.....	28
ESD1310.....	SSP1310HD.....	28
ESD1311.....	SSP1311HD.....	29
ESD1312.....	SSP1312.....	29
ESD1323.....	SSP1323HD.....	30
ESD1369.....	SSP1369.....	30
ESD1370.....	SSP1370.....	31
ESD1407.....	SSP1407.....	32

CROSS REFERENCE

FRASLE CON'T#	SSTOP#	Page
ESD1518.....	SSP1518.....	33
ESD1525.....	SSP1525.....	34
ESD1583.....	SSP1583.....	35
ESD1708.....	SSP1708.....	36

HALDEX#	SSTOP#	Page
79022008.....	SSP1527.....	35
79022031.....	SSP1527.....	35
79022040.....	SSP1583.....	35
790-22012.....	SSP1441.....	33

HENDRICKSON#	SSTOP#	Page
S-291522.....	SSP1369.....	30
S-291522.....	SSP1369HD.....	31
S-305608.....	SSP1583.....	35
S-30674.....	SSP1527.....	35
S-32676-1.....	SSP1777.....	37
S-353031.....	SSP1777H.....	37

HOLLAND#	SSTOP#	Page
3057008500Z.....	SSP1369.....	30
3057008500Z.....	SSP1369HD.....	31

MARATHON#	SSTOP#	Page
CBP-HDX01.....	SSP1310HD.....	28
CBP-KBK7.....	SSP1369.....	30
CBP-RN01.....	SSP1312.....	29
LBP-MTR225.....	SSP1311HD.....	29

MCI#	SSTOP#	Page
04-01-1007.....	SSP1312.....	29
04-01-1019.....	SSP1312.....	29
04-01-1113.....	SSP1311HD.....	29

MERITOR#	SSTOP#	Page
68324558.....	SSP1310HD.....	28
68324957.....	SSP1310HD.....	28
68325023.....	SSP1407.....	32
68325166.....	SSP1407.....	32
68325344.....	SSP1310HD.....	28
68325346.....	SSP1310HD.....	28
68325901.....	SSP1310HD.....	28
68326015.....	SSP1310HD.....	28
68932068NZZ.....	SSP1312.....	29
ED225SHD.....	SSP1311HD.....	29
KIT195020.....	SSP1525.....	34

B

CROSS REFERENCE

MERITOR CON'T#	SSTOP#	Page
KIT195021	SSP1525	34
KIT225020	SSP1526	34
KIT225021	SSP1526	34
KIT2252H2BA	SSP1311HD	29
KIT2252H2BA	SSP1690	36
KIT2252H2BE	SSP1311HD	29
KIT2252H2CD	SSP1311HD	29
KIT2252H2DA	SSP1311HD	29
KIT2252H3BE	SSP1323HD	30
KIT2252H3CE	SSP1323HD	30
KIT2252L2CD	SSP1370	31
MDP1314	SSP1525	34
MDP3174K	SSP1708	36
MDP5019	SSP1312	29
MDP5025	SSP1312	29
MDP5042	SSP1312	29
MDP5060	SSP1310HD	28
MDP5061	SSP1312	29
MDP5079	SSP1525	34
MDP5097	SSP1310HD	28
MDP5110	SSP1407	32
MDP5140	SSP1708	36
MMD1203AF	SSP1203HD	28
MMD1311AF	SSP1311HD	29
MMD1323AF	SSP1323HD	30
MMD1369AF	SSP1369	30
MMD1370AF	SSP1370	31
MMD1407AF	SSP1407	32
MMD1438AF	SSP1438	32
MMD1441AF	SSP1441	33
MMD1518AF	SSP1518	33
MMD1525AF	SSP1525	34
MMD1526AF	SSP1526	34
MMD1527AF	SSP1527	35
MMD1583AF	SSP1583	35

CROSS REFERENCE

NEW FLYER#	SSTOP#	Page
6317845	SSP1323HD	30
PACCAR#	SSTOP#	Page
PACCAR	SSP1441	33
PREVOST#	SSTOP#	Page
611049	SSP1203HD	28
RIDE AIR#	SSTOP#	Page
RADV1203	SSP1203HD	28
RADV1311	SSP1311HD	29
RADV1312	SSP1312	29
RADV1369	SSP1369	30
RADV1438	SSP1438	32
RADV1518	SSP1518	33
RADV1527	SSP1527	33
RADV1583	SSP1583	33
RADV1777	SSP1777	35
TEXTAR#	SSTOP#	Page
2626902	SSP1369	30
2903009	SSP1407	32
2908711	SSP1203HD	28
2909006	SSP1312	29
2911303	SSP1407	32
2911307	SSP1407	32
2913103	SSP1310HD	28
2913111	SSP1310HD	28
2918701	SSP1311HD	29
2918901	SSP1690	36
2926903	SSP1369HD	31
2926904	SSP1369HD	31
2927801	SSP1203HD	28
2927901	SSP2061	38

CROSS REFERENCE

TRP#	SSTOP#	Page
AD1203HW	SSP1203HD	28
ADB69HW	SSP1369	30
VOLVO#	SSTOP#	Page
20976509	SSP1310HD	28
8550611-1	SSP1369	30
WABCO#	SSTOP#	Page
12999796	SSP1777	37
12999703VT	SSP1518	33
12999737VT	SSP1438	32
12999806	SSP1518	33
1999699VT	SSP1777	37



Part Number	Page
SSR901	40
SSR920	40
SSR921	41
SSR922	41
SSR923	42
SSR925	42
SSR926	43
SSR927	43
SSR928	44
SSR929	44
SSR930	45
SSR931	45
SSR932	46
SSR933	46
SSR934	47
SSR935	47
SSR941	48
SSR943	48
SSR944	49
SSR945	49
SSR946	50
SSR947	50
SSR948	51
SSR949	51
SSR950	52

CROSS REFERENCE

AD BUS#	SSTOP#	Page
658470/39.....	SSR927.....	43
BENDIX#	SSTOP#	Page
145086	SSR932.....	46
145348	SSR932.....	46
802081	SSR901.....	40
802082	SSR920.....	40
802569	SSR922.....	41
802669	SSR929.....	44
1137415.....	SSR923.....	42
1137191.....	SR921.....	41
1137986.....	SSR926.....	43
K021958.....	SSR921.....	41
K021959.....	SSR926.....	43
K034497.....	SSR927.....	43
K038573.....	SSR901.....	40
K038574.....	SSR920.....	40
CONMET#	SSTOP#	Page
10016195.....	SSR948.....	51
10018609.....	SSR948.....	51
10020682.....	SSR947.....	50
10025445.....	SSR922.....	41
DAYTON#	SSTOP#	Page
123550	SSR932.....	46
DURABRAKE#	SSTOP#	Page
56642.....	SSR930.....	45
75180.....	SSR933.....	46
76603.....	SSR923.....	42
76604.....	SSR926.....	43
76605.....	SSR934.....	47
76606.....	SSR935.....	47
76612.....	SR921.....	41
76613.....	SSR941.....	48
76616.....	SSR943.....	48
76617.....	SR920.....	40
76621.....	SSR944.....	49
76641.....	SSR929.....	44
76690.....	SSR945.....	49
76691.....	SSR946.....	50
76692.....	SSR922.....	41
76602A.....	SSR928.....	44

CROSS REFERENCE

GUNITE#	SSTOP#	Page
D6176M	SSR932.....	46
R6206M.....	SSR950.....	52
R6225M.....	SSR950.....	52
HENDRICKSON#	SSTOP#	Page
S-28595.....	SSR950.....	52
S-29152.....	SSR922.....	41
S-32193.....	SSR920.....	40
S-34172.....	SSR941.....	48
S-34471.....	SSR949.....	51
IMT#	SSTOP#	Page
70005IMT.....	SSR933.....	46
70006IMT.....	SSR931.....	45
70007IMT.....	SSR941.....	48
MCI#	SSTOP#	Page
15-02-1043.....	SSR925.....	42
15-02-1067.....	SSR925.....	42
15-03-1012.....	SSR930.....	45
MERITOR#	SSTOP#	Page
68323736.....	SSR928.....	44
68326014.....	SSR925.....	42
23-123550-009.....	SSR932.....	46
23-123642-002.....	SSR930.....	45
23-123647-002.....	SSR935.....	47
44D76617.....	SSR920.....	40
M44D76604.....	SSR926.....	43
M44D71601.....	SSR931.....	45
M44D75180.....	SSR933.....	46
M44D76603.....	SSR923.....	42
M44D76612.....	SSR921.....	41
M44D76613.....	SSR941.....	48
M44D76618.....	SSR901.....	40
M44D76621.....	SR944.....	49
M44D76641.....	SSR929.....	44
M44D76642.....	SSR927.....	43
M44D76690.....	SSR945.....	49
M44D76691.....	SSR946.....	50
M44D76692.....	SSR922.....	41

B

CROSS REFERENCE

NEW FLYER#	SSTOP#	Page
6316229.....	SSR935.....	47
6347297.....	SR944.....	49
6359347.....	SSR943.....	48

PREVOST#	SSTOP#	Page
611188.....	SSR923.....	42
611300.....	SSR929.....	44
611456.....	SSR923.....	42
611457.....	SSR926.....	43
621672.....	SSR926.....	43

VAN HOOL#	SSTOP#	Page
10721062.....	SSR928.....	44
10977055.....	SSR928.....	44
N508030009.....	SSR934.....	47
N508030038.....	SR944.....	49
N508030040.....	SR944.....	49

VOLVO#	SSTOP#	Page
3092710.....	SSR946.....	50
3988838.....	SSR946.....	50
8551042.....	SSR946.....	50
20428193.....	SSR945.....	49
85103803.....	SSR945.....	49
85110496.....	SSR945.....	49

WABCO#	SSTOP#	Page
CT807.....	SSR941.....	48
CT826.....	SSR933.....	46
CT832.....	SSR931.....	45

WEBB#	SSTOP#	Page
55060.....	SSR930.....	45
55070.....	SSR935.....	47
56050.....	SSR926.....	43
54220F.....	SSR925.....	42
54220P.....	SSR925.....	42
54773P-65.....	SSR932.....	46
55040P.....	SSR944.....	49
55080P.....	SSR929.....	44
56020P.....	SSR943.....	48
56022P.....	SSR923.....	42
56024P.....	SSR921.....	41



MISSISSAUGA ON	731 Gana Court, L5S 1P2	(905) 564-5404	1-888-456-6567
THUNDER BAY ON	915 Walsh St W, P7E 4X5	(807) 577-5724	1-800-465-5044
SUDBURY ON	C-112 Fielding Rd, Livley, P3Y 1L5	(705) 222-1042	1-866-328-7725
WINNIPEG MB	2525 Inkster Blvd, R2R 2Y4	(204) 632-8269	1-800-282-8044
BRANDON MB	1440 Highland Ave, R7C 1A7	(204) 571-5980	1-866-883-6120
REGINA SK	1523 Ross Ave E, S4N 7E5	(306) 757-5606	1-800-552-8044
SASKATOON SK	3445 Miners Ave, S7K 7K9	(306) 242-3465	1-800-772-4599
LLOYDMINSTER AB	5701 63rd Ave, PO Box 11530, T9V 3B8	(780) 875-9115	1-800-661-9709
CALGARY AB	5350 72nd Ave SE, T2C 4X5	(403) 236-9712	1-800-661-3126
RED DEER AB	170 Queens Dr, T4P 0R5	(403) 343-1383	1-866-297-0022
EDMONTON AB	16230-118th Ave, T5V 1C6	(780) 447-4422	1-800-663-9366
GRANDE PRAIRIE AB	10610 82 Ave, Clairmont AB, T8X 5G9	(780) 402-9864	1-866-424-5479

MANUFACTURED BY OR DISTRIBUTED EXCLUSIVELY BY FORT GARRY INDUSTRIES LTD.

Only Super Stop provides a complete remanufacturing process.
During our 25 years of remanufacturing shoes, we've developed a loyal following of
fleet customers who have come to rely on our quality and dependability.