

DelClynee

Heat Press Machine

User Manual

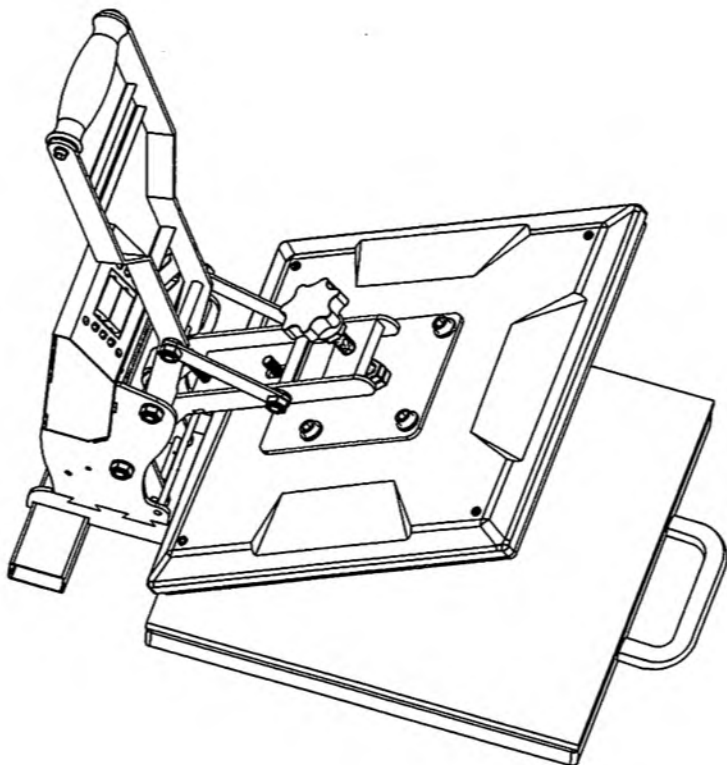


Table of Contents

About	2
Intended use	3
Package contents	3
Unpacking	4
Device overview	6
Preparation Instructions	7
Prepare your Garment/Cloth and Sublimation Paper.....	7
Prepare your Heat Transfer Machine	8
Operating Instructions	9
Precautions	10
Tips.....	11
Testing Instructions	12
Time and Temperature Suggestion Table	13
Safety Instructions	14
General.....	14
Persons – use.....	15
Electrics.....	15
Cable.....	16
Water	17
Heat – Fire.....	17
Cleaning and care	18
Maintenance	18
Fuse replacement	19
Transporting and handling	19
Storage	20
Disposal – Recycling	20
Device disposal.....	20
Packaging material disposal	20
Technical Data	21
FAQ and Troubleshooting	22
Warranty	25
Notes:	26

About

Thank you for choosing a Delclynee product. To ensure proper and safe use of the product, please read the user manual carefully before use. Always follow the instructions to prevent damage or harm.

If you have any questions, remarks, or problems using the product please contact us by email: service@delclynee-us.com.

We hope you enjoy your order!



Keep this manual for future reference.

Make this Heat Press Machine only available to third parties together with its user manual.

Intended use

This heat press is designed to press heat transfer vinyl (HTV), sublimation, and transfer papers onto soft garments.

Avoid the use of this heat press for other activities such as food preparation or extraction of oils from plant materials and other alternative uses.

The use of this heat press in a manner other than intended will void the warranty, will damage the machine, and may constitute a fire hazard.

Delclynee is not liable for damage resulting from improper or careless use.

Package contents

The Heat Press Machine: 1 piece

User manual: 1 piece

Bottom Lower Platen Cover: 1 piece

Unpacking

- Before unpacking your machine, select the location where it should be installed: all sides of the unit should be readily accessible, and there should be ample free space around the unit. A grounded mains outlet must be located near to the device and be easily accessible.
- The machine is heavy (41.8lbs/19.0kg). Lifting with 2 people is strongly advised.
- Firmly hold the machine while unloading it from the box.

NOTICE



Please take it out with hands holding.



Do not take it out by lifting the handle.

- Compare the parts with the package contents.
- Check the machine after unpacking to find out if it is in perfect condition:
 - Check scratches or damage to the LCD screen.
 - Check if the handle is working properly.



If you are missing a part, or something is damaged, please contact us at service@delclynee-us.com.

- Do not leave packaging material lying around carelessly. It may become dangerous playing material for children. Do not dispose of the packing materials until the machine is installed and working. Preserve the shipping carton for future use (see the chapter "Transporting and Handling").

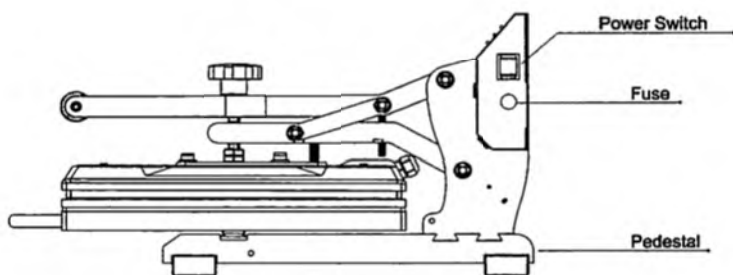
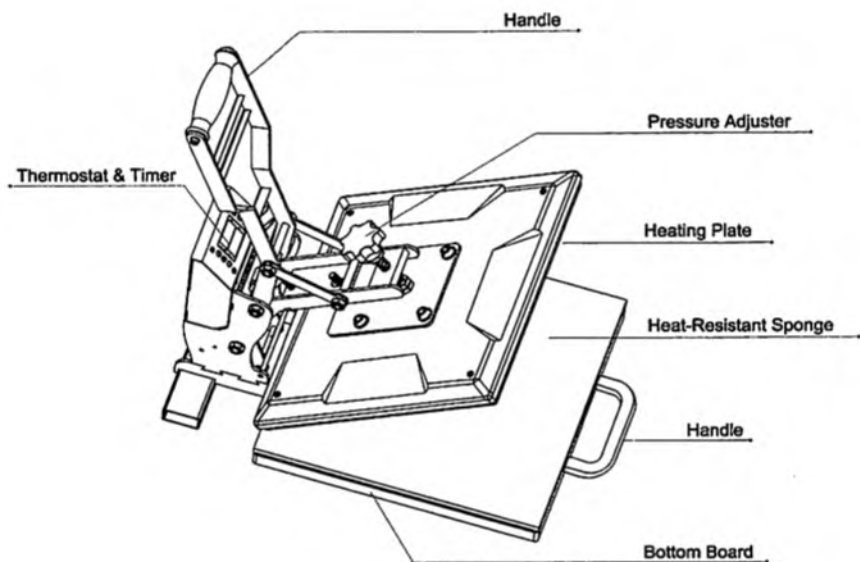
- Ensure that all packaging materials and any promotional labels or stickers are removed from the Heat Press Machine before the first use.



WARNING:

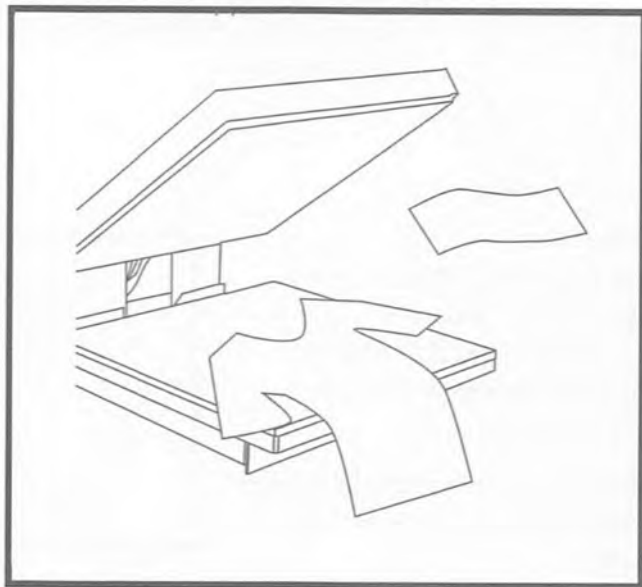
To avoid the danger of suffocation, keep plastic bags away from babies and children!

Device overview



Preparation Instructions

Prepare your Garment/Cloth and Sublimation Paper



- Prepare your transfer image and, in case of the printing with sublimation ink, please wait until the ink is dry.
- Prepare the garment and place the image on the transfer target spot.
- Find the appropriate heating instructions for the material you are using and set your heat press time and temperature using manufacturer recommended settings. The settings will vary and ultimately depend on the make and type of garments and transfers used. Those instructions are usually always available online from the material maker.

Prepare your Heat Transfer Machine



1. Check if the machine position is stable. Place the machine on a wide, steady, and flat working surface and check whether it is positioned evenly.

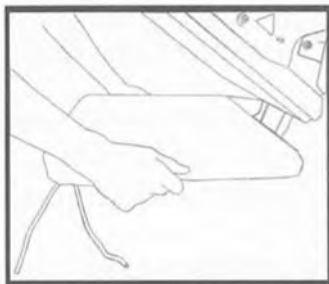
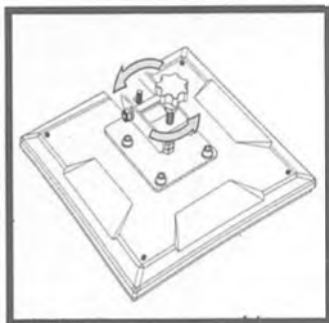
2. Adjust the pressure:

Note: Please leave the panel open or it will be hard to adjust pressure.

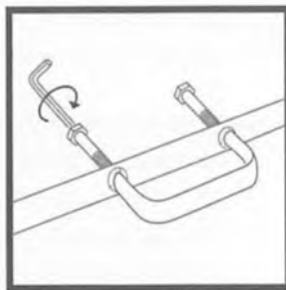
How to Operate: Turning the pressure adjustment knob clockwise will increase the pressure on the panel.

Try a few times to set the desired pressure setting (which will allow you to lift the handle easily).

Instructions from manufacturers of heat transfer vinyl and transfer paper will instruct you to use low, medium, or high Pressure during the application process.

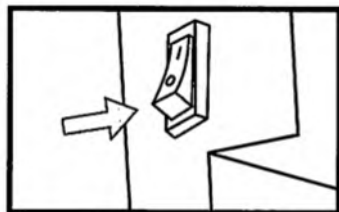


3. Put this cover over the lower platen pad and fasten the rope. (effective prevention of the lower pad sliding when load and unload shirt.



4. Install the handle before open the Heating Plate.

Operating Instructions



1. Turn on the heat press by pressing the power switch into the ON position. Open the panel (otherwise, the machine will utter a "beep" sound as a reminder)

2. Set the target temperature: Press the "TEMP" button, then press the up or down arrow (^ or v) to set the desired temperature; then Press the "TEMP" button again to lock it in.



3. Set the target time: Press the "TIME" button, then press the up or down arrow to set the required time, and press the "TIME" button again to lock it in.

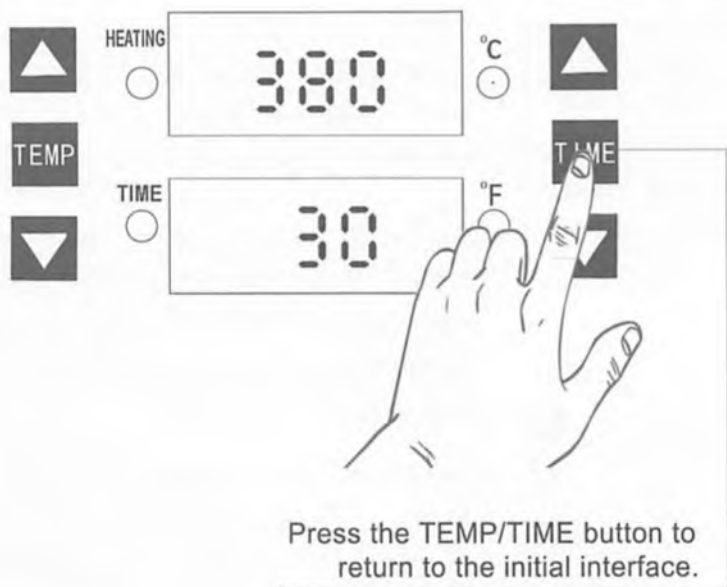
4. it will beep 5 times when the heat press heats to the target temperature.

5. Close the panel, pre-heat the heat resistant pad for about 30 seconds (this will enhance the sublimation effect).

6. Open the panel, place your garment (with image) on the bottom platen/ pad so that it is flat and there are no wrinkles in the material. The garment should be set evenly across the surface.

7. Proceed by closing the handle down into the locked position.

8. Open the handle when the automatic timer buzzes.



Precautions

- Please ensure that the heat press is OPEN during heat up! (Otherwise, there will be a "beep" sound, which indicates that the panels are in the wrong position).
- Don't touch the panel while it is in operation.
- Don't keep the heating panel closed for more than 5 minutes (when in operation).
- The panel needs 2-3 hours to cool down.



Use extreme care during operation.

During operation the plates will get hot enough to do serious injury to you should you touch them, and surrounding metal parts will also reach high temperatures.

Tips

- **TEMPERATURE** must be high enough to melt the transfer adhesive or cure the ink but not so high that it scorches marks or otherwise damages garments. This setting has the greatest effect on heat transfer success.
- **TIME** controls the amount of heat transferred to the garment. Much like cooking in an oven, stopping early or taking too long will have unwanted effects. Thick transfer products may require a longer press time.
- **PRESSURE** drives your transfer deep into the garment fabric for a stronger and more durable bond. It flattens garments to prevent wrinkles, creases, and seams from distorting the printed image. However, too much pressure can wear down mechanical parts.
- Position the garment on the lower plate, centering the transfer area on the plate.
- For best results, "thread" the garment around the lower platen so a single layer of fabric is on top of the silicone pad.
- Some transfer products recommend a "pre-press" to heat and flatten the garment before printing.
- To avoid re-heating the first transfer when printing double-sided T-Shirts, insert a sheet of cardboard in between the T-shirt, adjust the height to less pressure, then press.
- Always check that the transfer image is face down against the material, to avoid sealing the image against the heat plates instead of the substrate.

- The heat resistant sponge pad on the lower plate can degrade after much use and over an extended period. This pad is replaceable. If the pad becomes dried out, cracked, or there are chunks removed from the pad, this can result in inconsistent and poor-quality transfers.
- We also offer the lower pad cover for your heat press machine. This cover can keep the bottom lower pad clean, easy to load and unload shirt, protects the edges and corners from getting worn down. It also makes it easier to slide your garments on and off.

Testing Instructions



TEST BEFORE YOU PRESS.

We encourage you to always do a test of your fabric and HTV or transfer paper together using a small sample of the materials before you do volume production.

If possible your test should include washing and drying a pressed garment to assure that the media has properly adhered to the garment using the heat and pressure setting you have selected.


Time and Temperature Suggestion Table


As with all media, you'll use on your Heat Press, we encourage you to look for the pressing recommendations from the manufacturer of the transfer material online if possible. If you can't find specific instructions, the following are general guidelines for your consideration.

Materials	Time (Seconds)	Temperature (Fahrenheit Degree)	Temperature (Celsius Degree)
Pure cotton	25 – 30	360 ~ 430	182 ~ 221
Polyester	25	360 ~ 430	182 ~ 221
Pearl Board	10 – 15	300 ~ 360	149 ~ 182
Key Chain	40	430 ~ 450	221 ~ 232
Mouse pad	25 - 30	360 ~ 450	182 ~ 232
PVC Board	40	360	182

Note: The table contains general data. The exact data depends on your materials.

Safety Instructions

 **READ** the user instructions carefully and especially observe the safety information. If you do not follow the safety instructions and information on proper handling in this manual, we assume no liability for any resulting personal injury or damage to property. Such cases will invalidate the warranty.

 **YOUR RESPONSIBILITIES:** Electrical appliances may expose people to hazards that can cause severe injury as well as death. The use of electrical products may create hazards that include, but are not limited to, injury, fire, electrical shock, and electrical system damage. These safety instructions are intended to provide you with the information you need to use the product and to avoid such hazards.

General

- Do not use the device for any other purpose other than its intended use (see the chapter "Intended Use").
- The Heat Press Machine is designed and intended for private, non-commercial use only.
- Do not leave the Heat Press Machine unsupervised while the POWER switch is in the ON position. Always put the Power switch in the OFF position when the machine is not being used.
- The Heat Press Machine should remain in the unlocked OPEN position when not in use. Do not leave the press closed on the table when not using unless transporting.
- Protect the device from extreme temperatures, direct sunlight, strong jolts, high humidity, moisture, flammable gases, vapors, and solvents.
- Please handle the device carefully. Jolts, impacts, or a fall even from a low height can damage the device.
- Do not place the device under any mechanical stress.
- Never drop or insert any object into any opening.
- The machine may be subject to interference from external sources such as transformers, electric motors, or other electronic devices. To avoid distortion from such sources, place it as far away from them as possible.

- Do not apply excessive force when using any of the control buttons on the display.
- If it is no longer possible to operate the device safely, take it out of operation and protect it from any accidental use. A safe operation can no longer be guaranteed if the device:
 - is visibly damaged,
 - is no longer working properly,
 - has been stored for extended periods in poor ambient conditions or has been subjected to any serious transport-related stresses.
- This device is intended for indoor use only. Do not use it outdoors.
- Always place the Heat Press Machine on a hard, flat, horizontal surface.
- Be sure to install the machine in a well-ventilated place.
- Do not remove product labels that contain warnings or safety instructions.

Persons – use

- The device is not a toy. Keep and store it out of the reach of small children.
- Small children and non-users should not be present during the device operation.
- This device may be used by children under 18 and by people with reduced physical, sensory or mental skills or a lack of experience or knowledge, provided that they are supervised or have been instructed on how to use the device safely, and are fully aware of the consequent risks of use.
- Do not use the Heat Press Machine if you have ingested substances that reduce your reaction time (such as painkiller medications or alcohol).

Electrics

- Never tamper with this machine. Do not reconstruct, repair or disassemble the Heat Press Machine. This can damage the device.
- Maintenance, modifications, and repairs are to be performed exclusively by an expert or at a Delclynee shop.
- Do not use any other plug or power adapter for this device. This can cause failure and/or damage.

- **Make sure your outlet:**
 - supplies the correct power voltage to avoid damage to the device.
 - can support 20A current.
 - has a protective device.
 - is grounded.
 - is located near to the device and it must be easily accessible.
- This heater draws 15A during operation. To prevent overloading a circuit, do not plug the heater into a circuit that already has other appliances working.
- It is normal for the plug to feel a little warm to the touch; however, a loose fit between the AC outlet (receptacle) and plug may cause overheating and distortion of the plug. Contact a qualified electrician to replace the loose or worn outlet.
- To disconnect the Heat Press Machine, first turn off the device, then grip the plug body and pull it from the wall outlet. Never pull the mains plug from the socket by pulling at the cable. Always pull it from the mains socket using the intended grips.
- Always unplug the mains plug from the mains socket if you do not use the device for an extended period.
- For safety reasons, always unplug the device in case of a thunderstorm.
- If the power fails during the operation, turn off the device immediately and pull the plug from the socket.

Cable

- Do not modify the mains cable.
- Always plug the machine directly into a wall outlet/receptacle. Never use an extension cord or relocatable power tap (outlet/power strip). If an extension cord is necessary, then a 12-gauge, 20-ampere rated cord should be used. Cords rated for less ampereage may overheat.
- Make sure that you do not trip over the cable. The cable should not be kinked, trapped, or twisted.
- Make sure that the mains cable is not squeezed, bent, damaged by sharp edges, or put under mechanical stress. Avoid excessive thermal stress on the mains cable from extreme heat or cold.
- Do not touch the mains cable if it is damaged. A damaged mains cable can cause a deadly electric shock. First, power down the respective

mains socket (e.g. via the respective circuit breaker) and then carefully pull the mains plug from the mains socket. Never use the device if the mains cable is damaged.

- To prevent risks, damaged power cables may only be replaced by the manufacturer, a professional workshop appointed by the manufacturer, or a similarly qualified person.

Water

- Never plug in or unplug the mains plug when your hands are damp or wet.
- Never operate the device when your hands are damp or wet.
- Do not use in wet environments or close to water and do not submerge in liquid. There is a risk of electric shock!
- Do not spill water on the machine, the power cord, or the mains outlet. Never pour liquids above or near the machine. If a liquid does get inside the casing, turn the Heat Press Machine off immediately.

Heat – Fire

- Let the device cool down before putting it away. This can take a while.
- The device heats up during use. Do not use the device if you are sensitive to heat. Severe burns could occur from touching hot parts.
 - Never put your fingers on the silicone pad.
 - To avoid burns, do not let bare skin touch any hot surface.
- Never place any objects on the device. Do not cover the device while it is in operation. This poses a risk of fire, electric shock, or injury.
- Keep combustible materials, such as pillows, bedding, papers, clothes, and curtains at least 3 feet (0.9 m) from the front of the machine and keep them away from the sides and rear.
- Keep the device away from heat and in or close to areas where the surrounding temperature is relatively hot (e.g. stoves or other sources of heat). Never use the device near open flames or on hot surfaces.



If you have questions that remain unanswered by these warnings & safety instructions, contact us at service@declynee-us.com.

Cleaning and care

- Clean the device with a dry cloth.
- Under no circumstances use aggressive cleanings agents, cleaning alcohol, or other chemical solutions since these can penetrate the housing or impair functionality.
- Clean always before use. Before cleaning, turn the machine's POWER switch to the OFF position and unplug the machine from the electrical outlet and allow it to cool.
- When dirty, clean immediately the surface of the panel and the silicone pad. Do not continue to use the machine while it is dirty.
- We recommend cleaning the machine thoroughly at least once a month.
- Cleaning must not be performed by children.



Debris and plastic residue from vinyl graphics can build up on the plates, which can cause staining to affect whole production runs.

Maintenance

The Heat Press Machine has been designed to be as maintenance-free as possible.

- Before any maintenance, turn the machine's POWER switch to the OFF position and unplug the machine from the electrical outlet and allow it to cool.
- To prolong the machine service life, please add high-temperature lubricant regularly on the joints.
- We recommend checking regularly for damage to the power cable.

Fuse replacement

If the fuse is blown, replace it with a new fuse with the same dimensions (31x6.5mm) and current rating (15A).

How to do: Put the Heat Press Machine POWER switch in the OFF position. The fuse-holder is located near the POWER switch. Open the fuse holder and replace the blown fuse.



For safety reasons it is forbidden to use another fuse rating.
Always use a 110V 15A slow blow fuse.

Transporting and handling

- Before transporting or handling, turn the machine's POWER switch to the OFF position and unplug the machine from the electrical outlet and allow it to cool.
- Do not use the handle for lifting or moving the Heat Press Machine.
- It is quite a heavy machine (49.5lbs/22,45kg) and once set up, you won't want to keep moving it. Lifting with 2 people is strongly advised.
- Moving the machine is easiest with the handle in the lowered and locked position.
- We strongly advise preserving the shipping carton this heat press came in. It was designed to hold the weight of this machine during shipping. Should you need to return the equipment due to warranty or repair, you will need it. Do not attempt to ship this equipment in a different container.

Storage

- Before storage, turn the machine's controls to the OFF position and unplug the machine from the electrical outlet and allow it to cool.
- We advise cleaning the device before storage.
- Place in its original box. Do not disassemble the machine.
- Store the machine in a place not exposed to sunlight, humidity, and dust-free.
- Do not store the machine in extremely high or extremely low temperatures.

Disposal – Recycling

Device disposal



The Waste of Electrical and Electronic Equipment (WEEE) Directive (2012/19/EU) has been put in place to recycle products using best available recovery and recycling techniques to minimize the impact on the environment, treat any hazardous substances and avoid the increasing landfill. This product is classed as Electrical or Electronic equipment so please ensure that at the end of the life of this product it is disposed of in the correct manner in accordance with local authority requirements. It must not be disposed of with household waste.

Fulfill your statutory obligations and contribute to the protection of the environment.

Packaging material disposal

Ensure that plastic bags, packaging, etc. are properly disposed of. Do not just dispose of these materials with your normal household waste, but make sure they are collected for recycling.

Please follow the notes and markings on the packaging.

Technical Data

Power input:	110V/60Hz
Power:	1400W
Transfer Element:	15" x 15" (38cmx38cm)
Temperature Range:	32-455°F
Timer Control:	Adjustable (0-999 seconds)
Temperature Error Band:	+/- 5 °F
Gross Weight:	49.5 Lbs

FAQ and Troubleshooting



The following information attempts to address the most probable mechanical and user issues with the press. Most issues with heat transfer presses are application-related. That is, they have to do with the results of a particular transfer application.



For technical support on problems having to do with the final results of a particular transfer paper or media, please contact the supplier of that transfer media. Generally, the machinery manufacturer is unable to support the myriad of different transfer papers, inks, and printable items on the market from other resellers.

Q. I pressed a transfer upside down. The inks and transfer material have burned onto the heat platen. What to do?

- A.
- Cool the machine down.
 - Using a non-abrasive detergent or cleaner, thoroughly scrub the heat platen surface. Do not use an abrasive scrubber or a pad that will scratch the Teflon coating of the platen.

Q. The transfer print quality is not OK.

- A.
- If the print color is pale: The temperature is too low / the pressure is not correct / or not pressed long enough.
 - If the print color is too brown or the transfer paper is almost burnt: Reduce the setting temperature
 - If the print is blurring: Too much transfer time causes proliferation.
 - If the print color is different or the partial transfer effect is not good enough: The pressure is not enough or not pressed long enough or poor quality transfer paper.
 - If the transfer paper sticks to the object after transfer: The temperature is too high or poor quality printing ink.

Q. Why I cannot open the machine?

A. The knob on the top that controls the pressure is likely too tight. Loosen that knob by twisting it counter-clockwise and it should be easier to open, though it still may need your full strength.

Q. Does this machine lock when you go to press or do you have to hold it down while pressing?

A. The machine locks by itself.

Q. I plugged the machine directly into the power outlet. Why is the machine not responding?

- A. – Check if the POWER switch is in the ON position. If not, put it in the ON position.
- Check the fuse. If the fuse is blown replace it with a new fuse.
- Check if there is power on the outlet. If not, check the protective device of the outlet.
- If the problem remains, contact customer service.

Q. Why does the temperature keep warming up?

A. – This is not a normal situation. Contact customer service.

Q. Why has the machine stopped warming up?

- A. – Your Heat Press uses a lot of energy while they are heating up. The energy drain may have tripped the protective device of the outlet.
- If the problem remains, contact customer service.

Q. Why there are sparks when connecting the machine to the power outlet?

- A. – Connect the machine to the outlet when the POWER switch is in the OFF position.
- Check if the voltage of your home is the same as mentioned on the machine label.
- Check for damage to the plug of your machine.
- Check for damage on the outlet

Q. Why is the display/screen showing the incorrect time and temperature?

A. – This is not a normal situation. Contact customer service.

Q. Why do I have wrinkles?

A. – You need to pre-press the garment for 2 to 3 seconds to remove wrinkles and moisture.

Q. I am using the machine for the first time. Why there is a strange smell?

A. – When first used, smoke or an unpleasant odor may be released, which results from the burning of manufacturing residues. This is not a malfunction. Ensure adequate ventilation.

Warranty

Delclynee guarantees that for one year from the date of purchase, this product will be free from defects in materials and workmanship. Delclynee, at its discretion, will replace or repair this product or any component of the product found to be defective during the warranty period. Replacement will be made with a new or refurbished product or component. If the product is no longer available, a replacement may be made with a similar product of equal or greater value. This is your exclusive warranty. Your replacement unit will be returned to you for no charge and will be covered under this warranty for the balance of the warranty period.

This warranty is valid for the original purchaser from the date of initial purchase and is not transferrable. Proof of purchase is required to obtain support under the warranty.

This warranty does not cover negligent use or misuse of the product, use with an improper voltage or current, and use contrary to the operating instructions, disassembly, repair, or alteration by anyone other than Delclynee. Products damaged by force majeure do not include our warranty.

If service is required, send an email to service@delclynee-us.com. To assist us in serving you, please have the model number and date of purchase available.

Delclynee reserves the right to make changes at any time, without notice or obligation, in colors, specifications, accessories, materials, and models.

Notes:

Ruled lines for taking notes.

Welcome

Thank you for choosing Delclynee machine.

Need help?

Before going back to the store, use these resources.



Join the discussion and
connect with the Delclynee
community

facebook.com/delclynee



instructional videos,
news, and more
youtube.com/delclynee



Answers to all your
Delclynee questions
delclynee-us.com/contact



Email support
service@delclynee-us.com