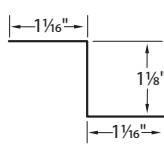
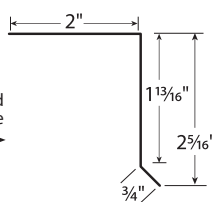
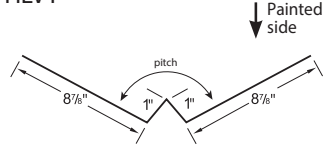
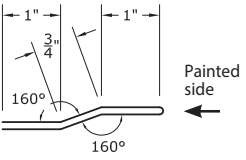
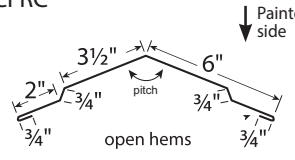
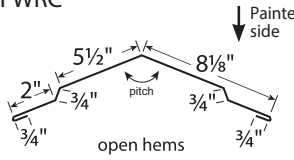
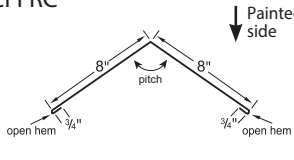
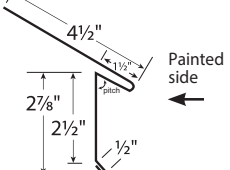
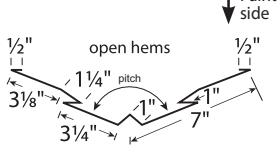
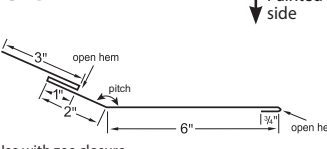
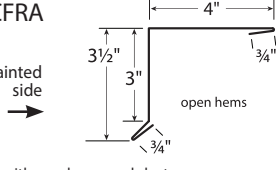
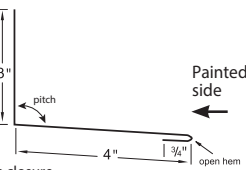


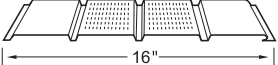
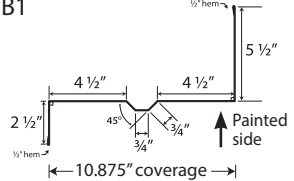
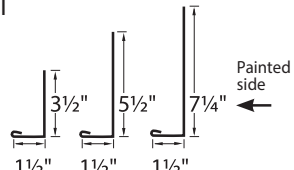
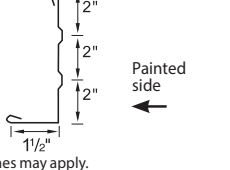
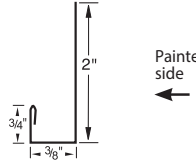
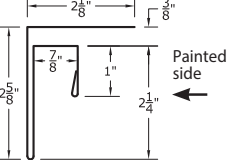
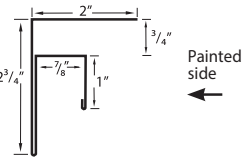
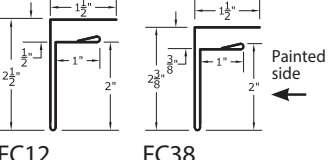
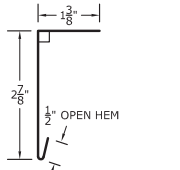
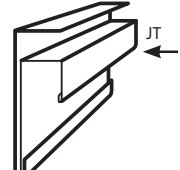
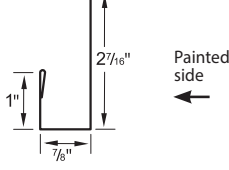
CONCEALED FASTENER TRIMS

Unless otherwise noted, all angles are 90° or 45°; hems are 1/2" closed, trims are 26 ga., and standard trim length is 10'2". Trim subject to change.
A current product guide with dimension, girth and pitch information can be found at www.centralstatesmfg.com.

*Specify pitch when ordering.

<p>ZEE CLOSURE HLZC</p>  <p>Painted side →</p> <p>Also available in vented: HLVZC</p>	<p>CLEAT HLCL</p>  <p>Painted side →</p>	<p>VALLEY* HLVT</p>  <p>Painted side ↓</p> <p>Use with valley cleat</p>	<p>VALLEY CLEAT HLVC</p>  <p>Painted side ←</p>
<p>OPEN HEM RIDGECAP* CFRC</p>  <p>Painted side ↓</p> <p>Use with zee closure</p>	<p>OPEN HEM WIDE RIDGECAP* CFWRC</p>  <p>Painted side ↓</p> <p>Use with zee closure</p>	<p>OPEN HEM FLAT RIDGECAP* CFFRC</p>  <p>Painted side ↓</p> <p>Use with zee closure</p>	<p>DRIP EDGE* HLRDC</p>  <p>Painted side ←</p>
<p>OPEN HEM VALLEY* CFVT</p>  <p>Painted side ↓</p>	<p>OPEN HEM GAMBREL* CFGA</p>  <p>Painted side ↓</p> <p>Use with zee closure</p>	<p>OPEN HEM RAKE CFRA</p>  <p>Painted side →</p> <p>Use with zee closure and cleat</p>	<p>OPEN HEM SIDEWALL/ENDWALL* CFSI</p>  <p>Painted side ←</p> <p>Use with zee closure</p>

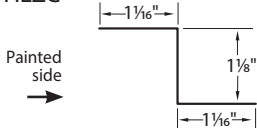
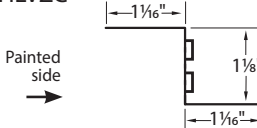
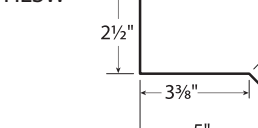
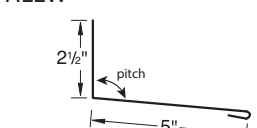
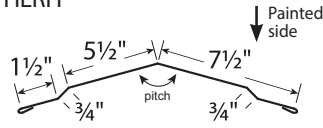
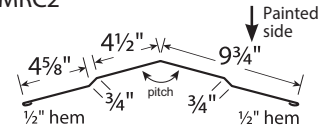
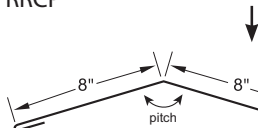
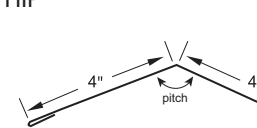
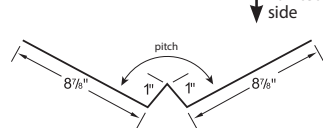
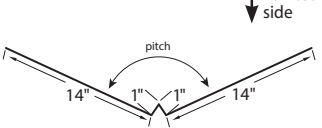
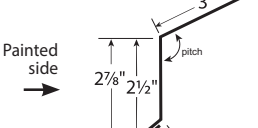

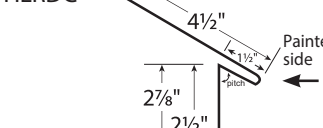
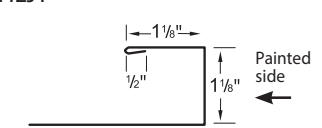
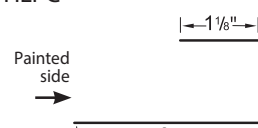
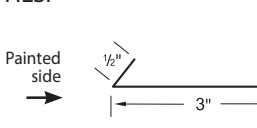
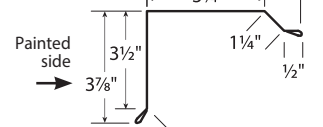
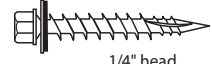
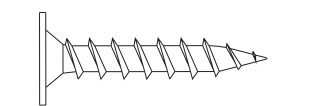
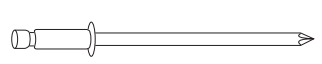
SOFFIT TRIMS

<p>ALUMINUM SOFFIT VENTED - VS SOLID - SS Std. 12' length</p>  <p>Painted side ↓</p> <p>Longer lead times may apply. Product may not be available in all locations.</p>	<p>GABLE BASE SOFFIT GB1</p>  <p>Painted side ↓</p> <p>Painted side ↑</p>	<p>RESIDENTIAL FASCIA TRIM RFT</p>  <p>Painted side ←</p>	<p>BEADED FASCIA BFT</p>  <p>Painted side ←</p> <p>Longer lead times may apply. Product may not be available in all locations.</p>
<p>SOFFIT J-TRIM SJT</p>  <p>Painted side ←</p>	<p>SOFFIT F&J SFJ</p>  <p>Painted side ←</p> <p>For aluminum soffit</p>	<p>PANEL-LOC PLUS F&J PFJ</p>  <p>Painted side ←</p> <p>For Panel-Loc Plus™ as soffit</p>	<p>F CHANNEL FC12 FC38</p>  <p>Painted side ←</p>
<p>SOFFIT F ADAPTER SFA</p>  <p>Painted side →</p> <p>OPEN HEM</p>	<p>F&J ASSEMBLY SFA + JT</p>  <p>Painted side ←</p>	<p>J-TRIM MJT</p>  <p>Painted side ←</p>	

EXPOSED FASTENER TRIMS

Unless otherwise noted, all angles are 90° or 45°, hems are 1/2" closed, trims are 26 ga., and standard trim length is 10'2". Trim subject to change. A current product guide with dimension, girth and pitch information can be found at www.centralstatesmfg.com.

*Specify pitch when ordering.

<p>ZEE CLOSURE HLZC</p>  <p>Painted side →</p>	<p>VENTED ZEE CLOSURE HLVZC</p>  <p>Painted side →</p>	<p>SIDEWALL TIE-IN HLSW</p>  <p>Painted side ←</p>	<p>ENDWALL TIE-IN* HLEW</p>  <p>Painted side ←</p> <p>Use with zee closure</p>
<p>RIDGECAP* HLRH</p>  <p>Painted side ↓</p> <p>Use with zee closure</p>	<p>WIDE RIDGECAP* MRC2</p>  <p>Painted side ↓</p> <p>Use with zee closure</p>	<p>RESIDENTIAL RIDGECAP* RRCP</p>  <p>Painted side ↓</p> <p>Use with zee closure</p>	<p>HIP CAP* HIP</p>  <p>Painted side ↓</p> <p>Use with zee closure</p>
<p>VALLEY* HLVT</p>  <p>Painted side ↓</p>	<p>WIDE VALLEY* HLWVT</p>  <p>Painted side ↓</p>	<p>EAVE TRIM* HLRE</p>  <p>Painted side →</p>	<p>HIGH-SIDE EAVE TRIM* HLHS</p>  <p>Painted side ←</p> <p>Use with zee closure</p>
<p>DRIP EDGE* HLRDC</p>  <p>Painted side ←</p>	<p>J-TRIM HLJT</p>  <p>Painted side ←</p>	<p>PANEL CAP HLPC</p>  <p>Painted side →</p>	<p>START/FINISH TRIM HLSF</p>  <p>Painted side →</p>
<p>RAKE TRIM HLRRT</p>  <p>Painted side →</p>	<p>METAL/WOOD SCREW #10</p> <p>1(color)MW 112(color)MW 2(color)MW 212(color)MW† 3(color)MW†</p>  <p>1/4" head</p> <p>† Product may not be available in all locations.</p>		
<p>LOW PROFILE WAFER HEAD SCREW</p> <p>SSR1WOOD 1" SSR112WOOD 1 1/2"</p> 	<p>POP RIVET POP</p> 	<p>ACCESSORIES</p> <ul style="list-style-type: none"> • Closures • Vented Closures • Gutters • Master Pipe Flashing • Universal Polyfoam • Flexovent • Grayflex • Touch Up Paint • Butyl Tape • Sealant <p>Distributed By: Michiana Building Supplies, Co. 269-683-2723 www.MichianaBuildingSupplies.com</p>	