

Cisco Video Surveillance 8930 Speed Dome IP Camera



Product overview

The Cisco® Video Surveillance 8930 IP Camera is designed for superior performance, image quality, and ease of deployment. The camera is designed to enhance low-light surveillance in large coverage areas and provides a superb image in challenging situations.

The camera comes with integrated camera optics packages. They offer 360° continuous pan rotation and 256 PTZ presets. In addition, the camera supports an SD/SDHC slot for local storage that can be used if network connectivity is lost.

The Cisco Video Surveillance 8930 IP Camera supports four simultaneous video streams. The streams can be compressed in H.265, H.264, and MJPEG formats across several resolution configurations and can be configured in a variety of frame rates and bit rates for additional bandwidth administration. The camera features a 1/2.8-inch CMOS for increased sensitivity and low-light technology that allows the cameras to compensate in scenes where minimal light is present. In addition, the advanced Wide Dynamic Range (WDR) enables the system to compensate in scenes where dramatic contrasts in lighting are present, and the 250M infrared illuminator provides long range visibility in low light conditions.

The Cisco Video Surveillance 8930 IP Camera offers a variety of benefits, including:

- **High-definition video from a full range of motion:** The camera streams crisp and clear 1080p (1920 x 1080) video at 60 frames per second through a continuous 360° pan rotation, 220° tilt angle range, and 30x optical zoom. The camera operator can remotely control the camera to track subjects or reposition the camera's field of view.
- **Camera presets:** Operators can program up to 256 preset locations, or up to 128 preset locations per tour, through which the camera can automatically cycle while recording.
- **Wide dynamic range and Image Stabilization:** 120 dB dynamic range for unparalleled visibility in high contrast environment and electronic image stabilization where vibration is expected.
- **Outdoor ready:** Built-in wiper for easy lens cleaning, and the housing for the camera is IP66, IK10, NEMA 4X, and UL rated, allowing for outdoor mounting without an additional enclosure.
- **Day/night operation:** The camera provides true day/night functionality and includes an IR filter that automatically switches to night mode in low-light scenes.
- **Open API:** Support for Open Network Video Interface Forum (ONVIF) Profile S and Profile G allows for standards-based interoperability and communications with other ONVIF appliances.
- **Integrated infrared illuminator:** 250 meter vari-angle infrared illuminator with smart IR for enhanced low light surveillance in large areas.
- **Intelligent video detection:** Auto tracking on moving objects in field of view and support for five window motion detection.
- **Flexible power options:** The camera supports PoH (95W) or 24 VAC or 24V DC power through an external power supply.
- **Privacy masking:** Privacy masking is used to conceal user-defined privacy areas that cannot be viewed by an operator. The camera supports up to twenty four privacy masked regions. A masked area will appear on the screen as a solid, colored window.

Product specifications

Table 1 lists the product specifications for the Cisco Video Surveillance 8930 IP Camera.

Table 1. Capabilities and specifications of the Cisco Video Surveillance 8930 IP Camera

Item	Details
Imaging device	1/2.8-inch progressive CMOS
Image settings	Time stamp, text overlay, flip and mirror; configurable brightness, contrast, saturation, sharpness, white balance, exposure control, gain, backlight compensation, privacy masks, scheduled profile settings, video rotation, 3-dimensional noise reduction, digital image stabilization, highlight compensation, defog
Wide dynamic range	120 dB
Minimum illumination	Color: 0.07 Lux at F1.6 B/W: 0.01 Lux at F1.6 0 Lux with IR illumination on
Lens	4.3 to 129mm (30x zoom) Aperture: F1.6 to F4.7
Field of view	2.3° to 64° (horizontal) 1.3° to 64° (vertical) 2.6° to 73° (diagonal)
Shutter speed	1/1 sec to 1/10000 sec
Video compression	H.265, H.264, and MJPEG

Item	Details
Audio compression	G.711 A-Law, G.711-U-law, G.726
Maximum Resolution and frame rate	H.265 & H.264: 60 fps @ 1920x1080 MJPEG: 30 fps @ 1920x1080
Protocols	IPv4, IPv6, Transmission Control Protocol/Internet Protocol (TCP/IP), Hypertext Transfer Protocol (HTTP), Secure HTTP (HTTPS), Universal Plug and Play (UPnP), Real-Time Streaming Protocol (RTSP), Real-Time Transport Protocol (RTP), Real-Time Transport Control Protocol (RTCP), Internet Group Management Protocol (IGMP), Common Internet File System (CIFS), Server Message Block (SMB), Simple Mail Transfer Protocol (SMTP), File Transfer Protocol (FTP), Dynamic Host Control Protocol (DHCP), Network Time Protocol (NTP), Domain Name System (DNS), Dynamic DNS (DDNS), Point-to-Point Protocol over Ethernet (PPPoE), Simple Network Management Protocol (SNMP), 802.1X, User Datagram Protocol, Internet Control Message Protocol (ICMP), Address Resolution Protocol (ARP), Secure Sockets Layer/Transport Layer Security (SSL/TLS), National Transportation Communications for Intelligent Transportation System Protocol (NTCIP)
Quality of Service (QoS)	Differentiated-Services-Code-Point (DSCP) marking and Class-of-Service (CoS) marking
Power	AC/DC 24V PoH/PoE (95W)
Power consumption (maximum)	AC/DC 24V: Max. 96 W (heater on) Max. 45 W (heater off) PoH/PoE (95W): Max. 70 W (heater on) Max. 39 W (heater off)

Connectors

Table 2 describes the connectivity and connectors of the Cisco Video Surveillance 8930 IP Camera.

Table 2. Cisco Video Surveillance 8930 IP Camera connectors

Item	Details
Network connectivity	10 Base-T/100 Base-TX with RJ-45 connector
Alarm input	Four logic levels programmable
Alarm output[*]	Two logic levels programmable
Storage	Micro SD/SDHC/SDXC card slot
Audio	Two-way (full- and half-duplex), one-way, or audio off
Power input	Terminal block

^{*} Not supported when the camera is used with Cisco Video Surveillance Manager.

Specifications

Table 3 provides specifications of the Cisco Video Surveillance 8930 IP Camera.

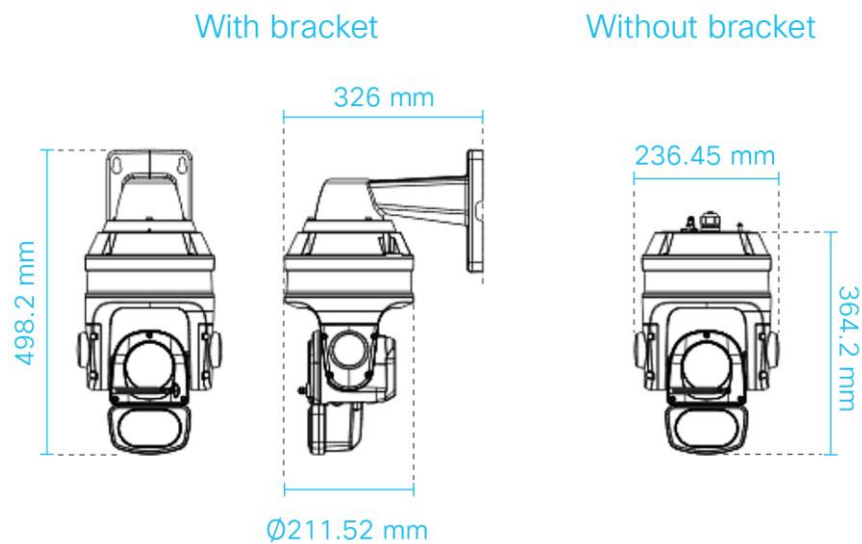
Table 3. Cisco Video Surveillance 8930 IP Camera specifications

Item	Specification
LEDs	System power and status indicator
Dimensions (H x W)	364.2mm x 236.45mm
Weight	7100g with bracket 5700g without bracket

Item	Specification	
Certifications	Safety: UL/CSA 60950-1 IEC/EN 60950-1 CAN/CSA-C22.2 No. 60950-1 IS 13252	EMC-Requirements: 47 CFR FCC Part 15 Class A AS/NZS CISPR 32 CISPR 32 EN 55032 Class A EN 55024 EN 61000-3-2/3-3 EN 50130-4 ICES-003 Class A VCCI
Cold start temperature	-40°C to 55°C	
Wide temperature range (operating temperature)	-35°C to 50°C	
Humidity	90% RF	

Figure 1 shows the dimensions of the Cisco Video Surveillance 8930 IP Camera. All dimensions are in millimeters.

Figure 1. Cisco Video Surveillance 8930 IP Camera dimensions



Package contents

Items that ship with the Cisco Video Surveillance 8930 IP Camera include:

- Camera
- Extra set of labels
- Cisco RoHS pointer card
- T25 L wrench
- T20 L wrench
- T10 L wrench
- RJ-45 plug
- Zipper bag

- Ground cable
- Screw bag (Wall Mount Bracket)
- Screw bag (bracket)

Ordering information

Table 4 lists part numbers for the Cisco Video Surveillance 8930 IP Camera.

Table 4. Ordering information

Part number	Description
CIVS-IPC-8930=	Cisco Video Surveillance 8930 HD Outdoor IP PTZ Camera

Services and support

Cisco and our certified partners can help you accelerate success and improve your ROI in a Cisco Physical Security solution. The Cisco lifecycle approach to services defines the requisite activities at each phase of the solution lifecycle:

- Reduce deployment costs by identifying the features that best meet your business requirements.
- Accelerate migration by assessing the readiness of your network to support the system and by developing a sound design.
- Support smooth implementation through effective planning and expert installation, configuration, and integration.
- Increase operational efficiency and extend the value of your investment with award-winning technical support.

For more information about Cisco Services, visit <https://www.cisco.com/go/services>.

Cisco Capital

Financing to help you achieve your objectives

Cisco Capital[®] can help you acquire the technology you need to achieve your objectives and stay competitive. We can help you reduce CapEx. Accelerate your growth. Optimize your investment dollars and ROI. Cisco Capital financing gives you flexibility in acquiring hardware, software, services, and complementary third-party equipment. And there's just one predictable payment. Cisco Capital is available in more than 100 countries. [Learn more.](#)

For more information

For more information about the Cisco Video Surveillance 8930 IP Camera, visit <https://www.cisco.com/go/videosurveillance> or contact your local account representative.



Americas Headquarters
Cisco Systems, Inc.
San Jose, CA

Asia Pacific Headquarters
Cisco Systems (USA) Pte. Ltd.
Singapore

Europe Headquarters
Cisco Systems International BV Amsterdam,
The Netherlands

Cisco has more than 200 offices worldwide. Addresses, phone numbers, and fax numbers are listed on the Cisco Website at <https://www.cisco.com/go/offices>.

Cisco and the Cisco logo are trademarks or registered trademarks of Cisco and/or its affiliates in the U.S. and other countries. To view a list of Cisco trademarks, go to this URL: <https://www.cisco.com/go/trademarks>. Third-party trademarks mentioned are the property of their respective owners. The use of the word partner does not imply a partnership relationship between Cisco and any other company. (1110R)